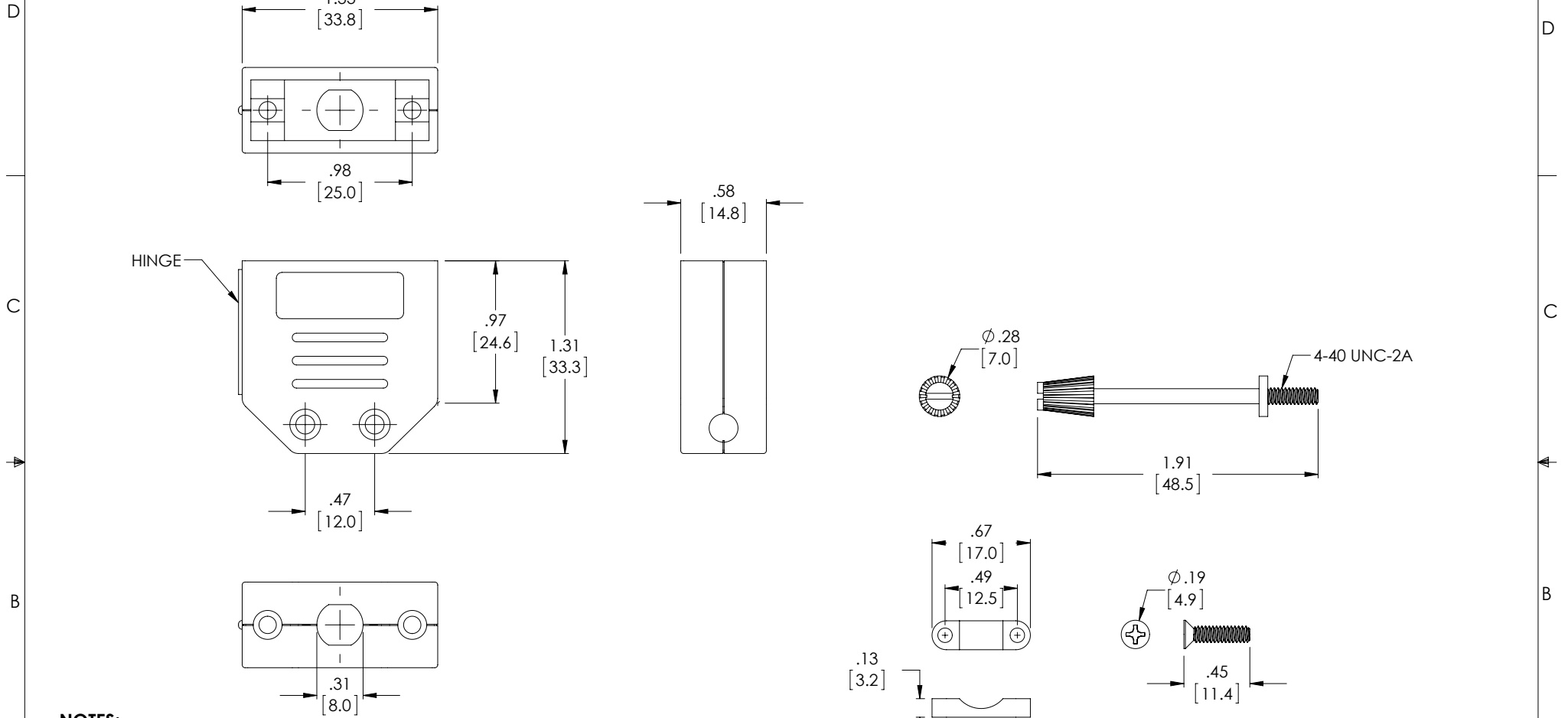



THE INFORMATION CONTAINED IN THIS DRAWING IS THE SOLE PROPERTY OF L-COM, INC. ANY REPRODUCTION IN PART OR WHOLE WITHOUT THE WRITTEN PERMISSION OF L-COM, INC. IS PROHIBITED.


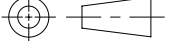
REVISIONS			
REV	DESCRIPTION	DATE	APPROVED
A	DRAWING REPLACES SD121-09-OD1	6/24/14	D_DESJARDIN
B	ECN 8417: UPDATED OVERALL DESIGN AND DRAWING FORMAT	7/13/16	D_DESJARDIN
C	ECN 8792: CHG FINISH FROM CHROMATE TO NICKEL PLATED	5/30/17	R.CLARK



**NOTES:**

- HOOD: PP UL94HB  
SCREW: STEEL  
FINISH: NICKEL PLATED 
- HOOD IS UNSHIELDED.
- D-SUB CONNECTOR (DB9 OR HD15) IS SECURED IN PLACE WHEN HOOD IS SNAPPED SHUT.
- STRAIN RELIEF IS CONTAINED WITHIN HOOD.
- COMPONENT SHALL BE INDIVIDUALLY PACKAGED IN ACCORDANCE WITH L-COM SPECIFICATION PS-0031.

**REGULATORY COMPLIANCE:**  
CE2011/65/EU (RoHS DIRECTIVE)

UNLESS OTHERWISE SPECIFIED, DIMENSIONS ARE IN INCHES [mm] OVERALL CABLE LENGTH TOLERANCE: ≤12 [305] = +1 [25] / -0 >12 [305] ≤60 [1524] = +2 [51] / -0 >60 [1524] ≤120 [3048] = +4 [102] / -0 >120 [3048] ≤300 [7620] = +6 [152] / -0 >300 [7620] = +5% / -0%	APPROVALS	DATE	 50 HIGH STREET NORTH ANDOVER, MA 01845			
	DRAWN BY D PARHAM	5/18/2001		CATEGORY <b>D-SUBMINIATURE</b>		
ALL OTHER DIMENSIONAL TOLERANCES: .X = ± .2 [5.08] .XX = ± .02 [51] .XXX = ± .005 [1.3]	CHECKED BY T CLARK	5/18/2001	PRODUCT DESCRIPTION <b>HOOD, DB9/HD15 BLK PLASTIC ONE PC</b>			
	APPROVED BY R CARRICK	5/18/2001		<table border="1"> <tr> <td>SIZE <b>A</b></td> <td>FSCM NO. <b>43321</b></td> <td>DWG. NO. <b>SD121-09</b></td> <td>REV. <b>C</b></td> </tr> </table>	SIZE <b>A</b>	FSCM NO. <b>43321</b>
SIZE <b>A</b>	FSCM NO. <b>43321</b>	DWG. NO. <b>SD121-09</b>	REV. <b>C</b>			
PROJECTION 	COLOR VARIATIONS MAY OCCUR	SD121-09-OD1	SCALE: NONE   CAD FILE: SD121-09.SLDDRW   SHEET 1 OF 1			