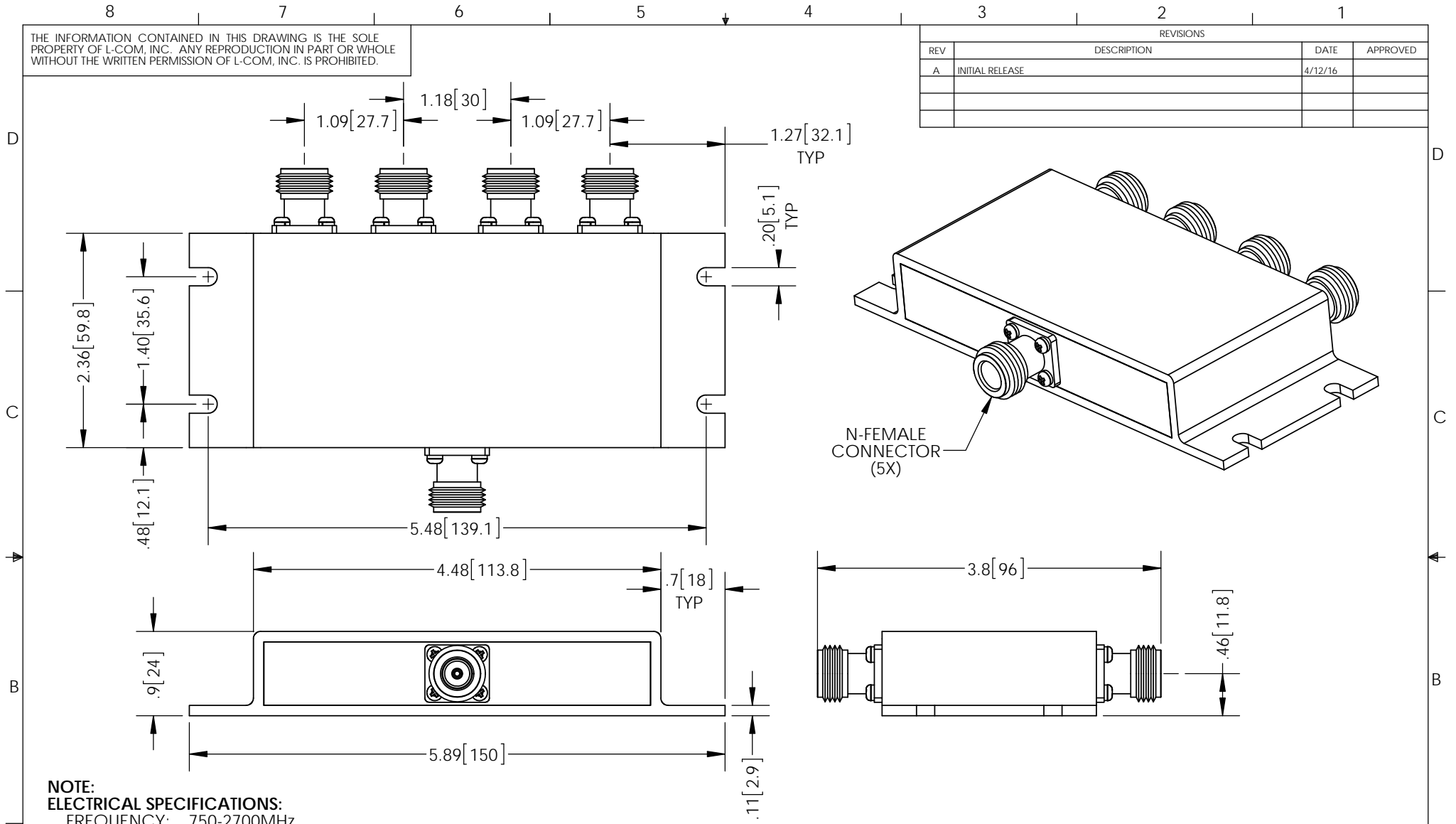


THE INFORMATION CONTAINED IN THIS DRAWING IS THE SOLE PROPERTY OF L-COM, INC. ANY REPRODUCTION IN PART OR WHOLE WITHOUT THE WRITTEN PERMISSION OF L-COM, INC. IS PROHIBITED.

REVISIONS			
REV	DESCRIPTION	DATE	APPROVED
A	INITIAL RELEASE	4/12/16	



**NOTE:**  
**ELECTRICAL SPECIFICATIONS:**

- FREQUENCY: 750-2700MHz
- INSERTION LOSS: <.5 dB (INSERTION LOSS FIGURE EXCLUDES POWER DIVISION)
- OUTPUT PORT TO PORT ISOLATION: ≥ 20dB
- IMPEDANCE: 50 OHM
- VSWR: ≤ 1.4:1
- POWER RATING: 50W
- PASSIVE INTERMODULATION (PIM): < -140dBc

**PACKAGING:**

EACH UNIT TO BE INDIVIDUALLY PACKAGED IN ACCORDANCE WITH L-COM SPEC PKG-00012

-ALL DIMENSIONS ARE FOR REFERENCE ONLY-

**REGULATORY COMPLIANCE:**  
CE2011/65/EU(RoHS DIRECTIVE)

UNLESS OTHERWISE SPECIFIED, DIMENSIONS ARE IN INCHES [mm]  DIMENSIONAL TOLERANCES: .X = ±.1 [2.54] .XX = ±.01 [25] .XXX = ±.005 [13]  ANGULAR TOLERANCES: ALL = ± 1°  PROJECTION 	APPROVALS	DATE	50 HIGH STREET NORTH ANDOVER, MA 01845		
	DRAWN BY B.PUCHASKI	04/08/16			CATEGORY
	CHECKED BY K.BURGNER	04/08/16	PRODUCT DESCRIPTION 750 - 2700 4-WAY LOW PIM SPLITTER W/N-FEMALE CONNECTORS		
	APPROVED BY P.PESA	04/08/16			SIZE
CONFIGURATION DETAILS OF UNDIMENSIONED FEATURES MAY VARY		SCALE: NONE		CAD FILE: SCW04N.SLDDRW	SHEET 1 OF 1