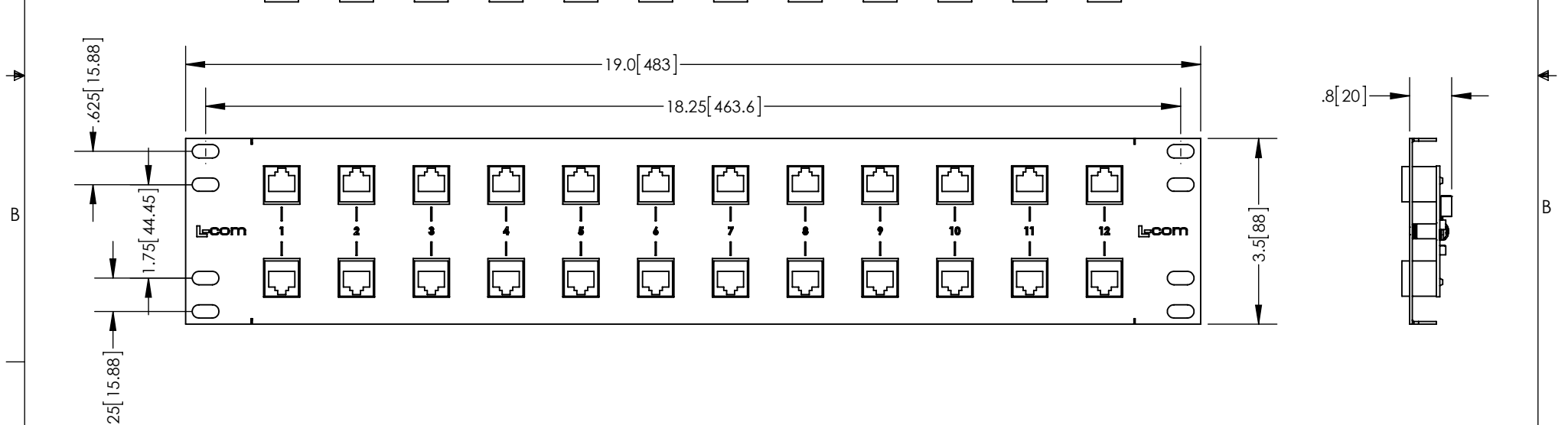
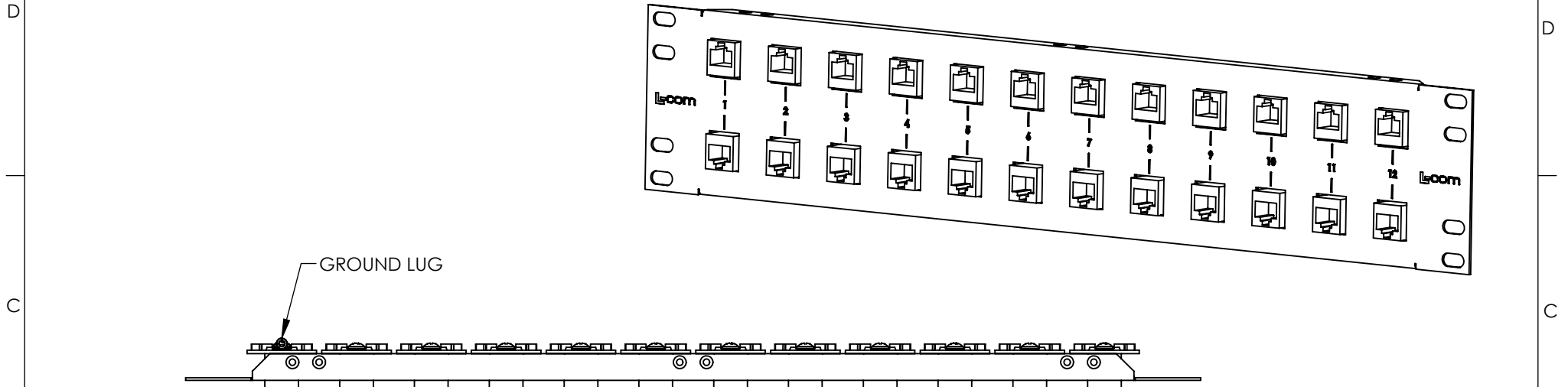


THE INFORMATION CONTAINED IN THIS DRAWING IS THE SOLE PROPERTY OF L-COM, INC. ANY REPRODUCTION IN PART OR WHOLE WITHOUT THE WRITTEN PERMISSION OF L-COM, INC. IS PROHIBITED.

REVISIONS			
REV	DESCRIPTION	DATE	APPROVED
A	INITIAL RELEASE	1/8/14	D.GRIFFIN



**NOTE:**

1- COMPONENTS SHALL BE INDIVIDUALLY PACKAGED IN ACCORDANCE WITH L-COM SPECIFICATION PKG-00012

**REGULATORY COMPLIANCE:**  
CE2011/65/EU(RoHS DIRECTIVE)

UNLESS OTHERWISE SPECIFIED, DIMENSIONS ARE IN INCHES [mm]  DIMENSIONAL TOLERANCES: .X = ±.1 [2.54] .XX = ±.01 [.25] .XXX = ±.005 [.13]  ANGULAR TOLERANCES: ALL = ± 1°  PROJECTION 	APPROVALS DRAWN BY B.PUCHASKI CHECKED BY K.BURGNER APPROVED BY P.PESA	DATE 01/07/14 01/07/14 01/07/14	45 BEECHWOOD DRIVE NORTH ANDOVER, MA 01845	
	CONFIGURATION DETAILS OF UNDIMENSIONED FEATURES MAY VARY			CATEGORY LIGHTNING PROTECTOR
	COLOR VARIATIONS MAY OCCUR		PRODUCT DESCRIPTION 12-PORT 19" 2U RACK MOUNT CAT5 SURGE PROTECTOR	REV. A
	SIZE <b>A</b>	FSCM NO. <b>43321</b>	DWG. NO. RMSP-CAT5S-12	SCALE: NONE CAD FILE: RMSP-CAT5S-12.SLDDRW SHEET 1 OF 1