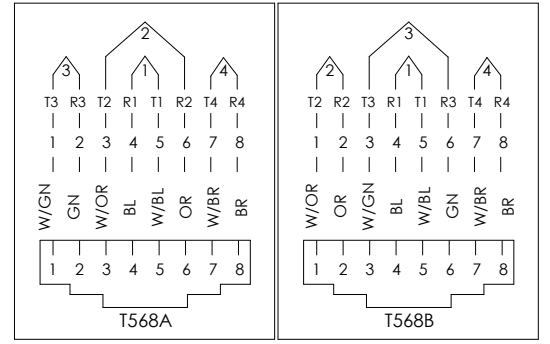
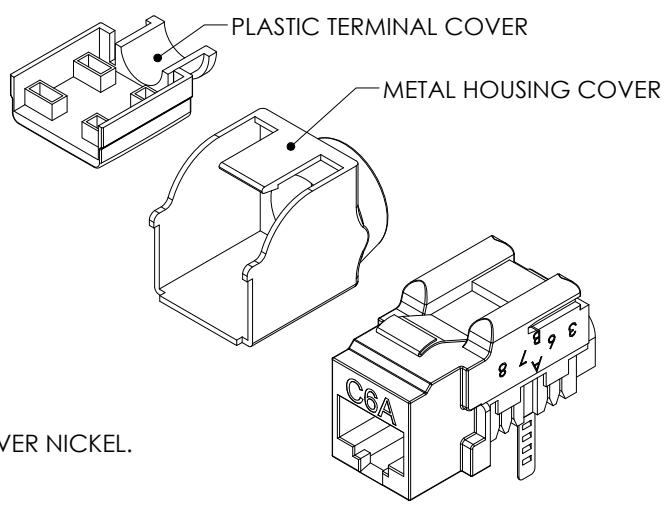
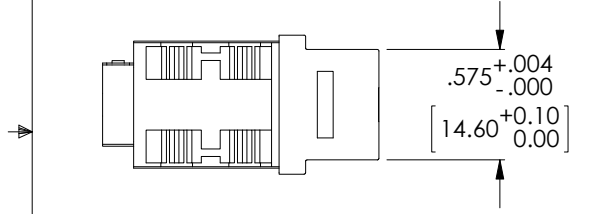
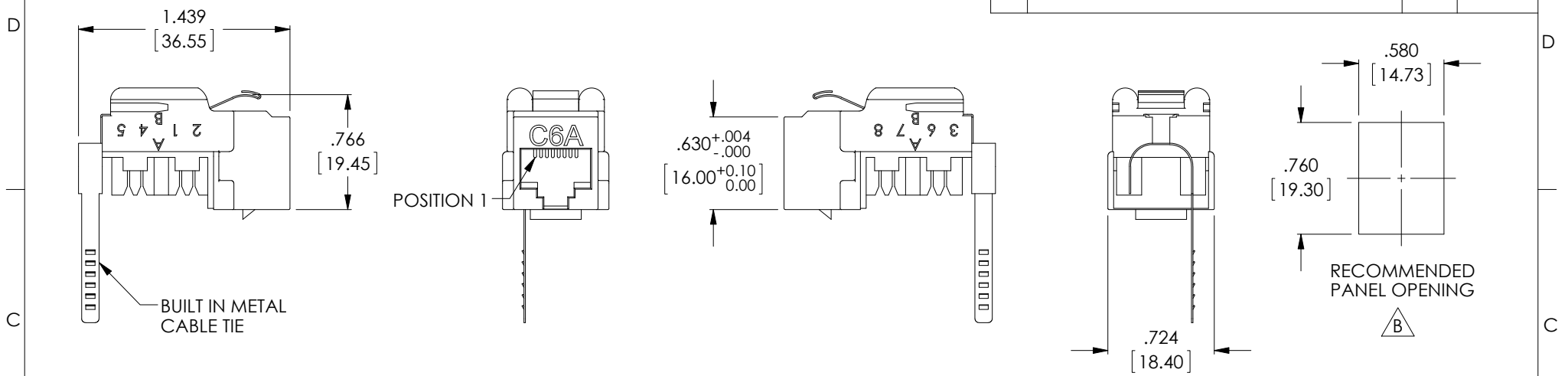


THE INFORMATION CONTAINED IN THIS DRAWING IS THE SOLE PROPERTY OF L-COM, INC. ANY REPRODUCTION IN PART OR WHOLE WITHOUT THE WRITTEN PERMISSION OF L-COM, INC. IS PROHIBITED.

REVISIONS			
REV	DESCRIPTION	DATE	APPROVED
A	INITIAL RELEASE	9/19/11	D.GRIFFIN
B	ECN 6881: UPD FORMAT, NOTES, AND 3D MODEL. ADDED PANEL CUTOUT	6/5/13	D_DESJARDIN



NOTES:
MATERIAL:
 BRACKET: 304 SST
 JACK HOUSING: ZINC ALLOY
 SPRING WIRE: PHOSPHOR BRONZE, 50U" GOLD PLATED OVER NICKEL.
 IDC: HIGH-IMPACT UL94V-0 THERMOPLASTIC.

PHYSICAL CHARACTERISTICS:
 CONTACT COMPATIBILITY : ACCOMMODATES 22 TO 24 AWG SOLID.
 OPERATING TEMPERATURE RANGE : -10 °C TO 60 °C.
 RATING: CATEGORY 6A

COMPONENT SHALL BE INDIVIDUALLY PACKAGED IN ACCORDANCE WITH L-COM SPECIFICATION PS-0031.

ALL DIMENSIONS ARE FOR REFERENCE ONLY.

REGULATORY COMPLIANCE:
 ROHS, CE

UNLESS OTHERWISE SPECIFIED, DIMENSIONS ARE IN INCHES [mm] OVERALL CABLE LENGTH TOLERANCE: ≤12 [305] = +1 [25] / -0 >12 [305] ≤60 [1524] = +2 [51] / -0 >60 [1524] ≤120 [3048] = +4 [102] / -0 >120 [3048] ≤300 [7620] = +6 [152] / -0 >300 [7620] = +5% / -0%	APPROVALS	DATE		45 BEECHWOOD DRIVE NORTH ANDOVER, MA 01845	
	DRAWN BY D.FRISIELLO	9/16/11		CATEGORY TELECOM/MODULAR	
ALL OTHER DIMENSIONAL TOLERANCES: .X = ± .2 [5.08] .XX = ± .02 [1.51] .XXX = ±.005 [1.13]	CHECKED BY D.GUITADAURO	9/16/11	PRODUCT DESCRIPTION JACK C6A RJ45/110 SHIELDED		
	APPROVED BY M.MARTINEZ	9/16/11			
PROJECTION	CONFIGURATION DETAILS OF UNDIMENSIONED FEATURES MAY VARY	SCALE: NONE	SIZE A	FSCM NO. 43321	
	COLOR VARIATIONS MAY OCCUR	DWG. NO. RJ110C6A-S	REV. B		
		CAD FILE: RJ110C6A-S.SLDDRW	SHEET 1 OF 1		