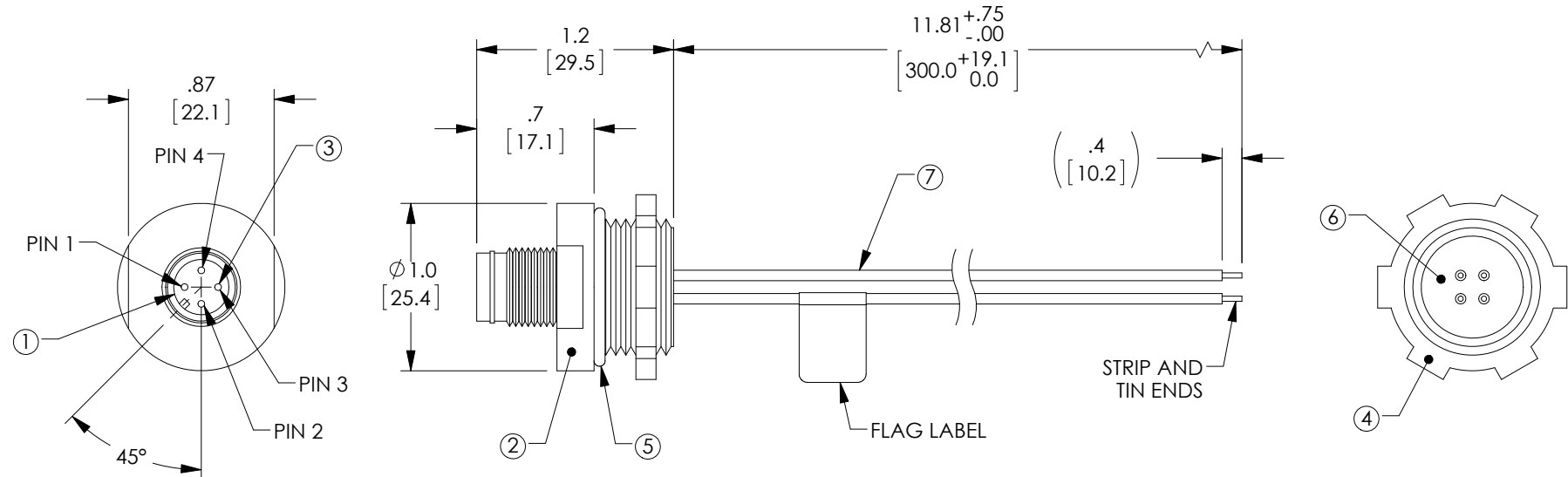


THE INFORMATION CONTAINED IN THIS DRAWING IS THE SOLE PROPERTY OF L-COM, INC. ANY REPRODUCTION IN PART OR WHOLE WITHOUT THE WRITTEN PERMISSION OF L-COM, INC. IS PROHIBITED.

REVISIONS			
REV	DESCRIPTION	DATE	APPROVED
A	INITIAL RELEASE	6/22/16	D.GRIFFIN

ITEM #	DESCRIPTION	MATERIAL	FINISH
1	INSERT	PA	BLACK
2	HOUSING	BRASS	NICKEL PLATED
3	CONTACT	BRASS	GOLD PLATED
4	LOCK NUT	STEEL	ZINC PLATED
5	O-RING	NBR	BLACK
6	POTTING MAT'L	EPOXY	-
7	WIRES	22AWG COPPER	PVC-SEE LIST



WIRE LIST	
WIRE	COLOR
1	BROWN
2	WHITE
3	BLUE
4	BLACK

SPECIFICATIONS:

- VOLTAGE RATING: 250 VAC/VDC
- AMP RATING: 4 AMP
- PROTECTION CLASS: IP 67/68/69K (WHEN MATED)
- OPERATING TEMPERATURE: -25 °C ~ 90 °C.
- PANEL THICKNESS MAX.: .245 [6.2mm]

NOTES:

- STRIP DIMENSIONS SHOWN ARE FOR REFERENCE ONLY AND MAY VARY.
- MINIMUM LABEL INFO INCLUDES PART NUMBER, DATE CODE, VOLTAGE AND AMPERAGE.
- CABLE ASSEMBLIES TO BE TESTED FOR CONTINUITY.
- CABLE ASSEMBLY SHALL BE INDIVIDUALLY PACKAGED IN ACCORDANCE WITH L-COM SPECIFICATION PS-0031.

UNLESS OTHERWISE SPECIFIED, DIMENSIONS ARE IN INCHES [mm]

OVERALL CABLE LENGTH TOLERANCE:
 $\leq 12 [305] = +1 [25] / -0$
 $>12 [305] \leq 60 [1524] = +2 [51] / -0$
 $>60 [1524] \leq 120 [3048] = +4 [102] / -0$
 $>120 [3048] \leq 300 [7620] = +6 [152] / -0$
 $>300 [7620] = +5\% / -0\%$

ALL OTHER DIMENSIONAL TOLERANCES:
 $.X = \pm .2 [5.08]$
 $.XX = \pm .02 [51]$
 $.XXX = \pm .005 [1.27]$

PROJECTION

APPROVALS	DATE
DRAWN BY D.FRISIELLO	6/22/16
CHECKED BY J.WHITE	6/22/16
APPROVED BY D.GUITADAURO	6/22/16

CONFIGURATION DETAILS OF UNDIMENSIONED FEATURES MAY VARY

COLOR VARIATIONS MAY OCCUR

L-com Global Connectivity

50 HIGH STREET
NORTH ANDOVER, MA
01845

CATEGORY
TELECOM / MODULAR

PRODUCT DESCRIPTION
M124M REAR IP69 0.3M LEADS

SIZE A	FSCM NO. 43321	DWG. NO. REC-M124MR-LEADS	REV. A
------------------	--------------------------	-------------------------------------	------------------

SCALE: NONE | CAD FILE: REC-M124MR-LEADS.SLDDRW | SHEET 1 OF 1