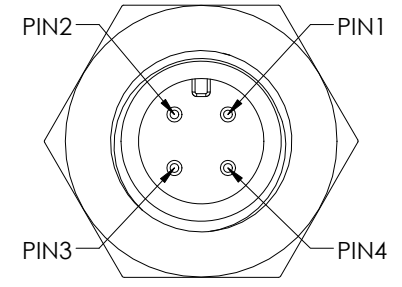
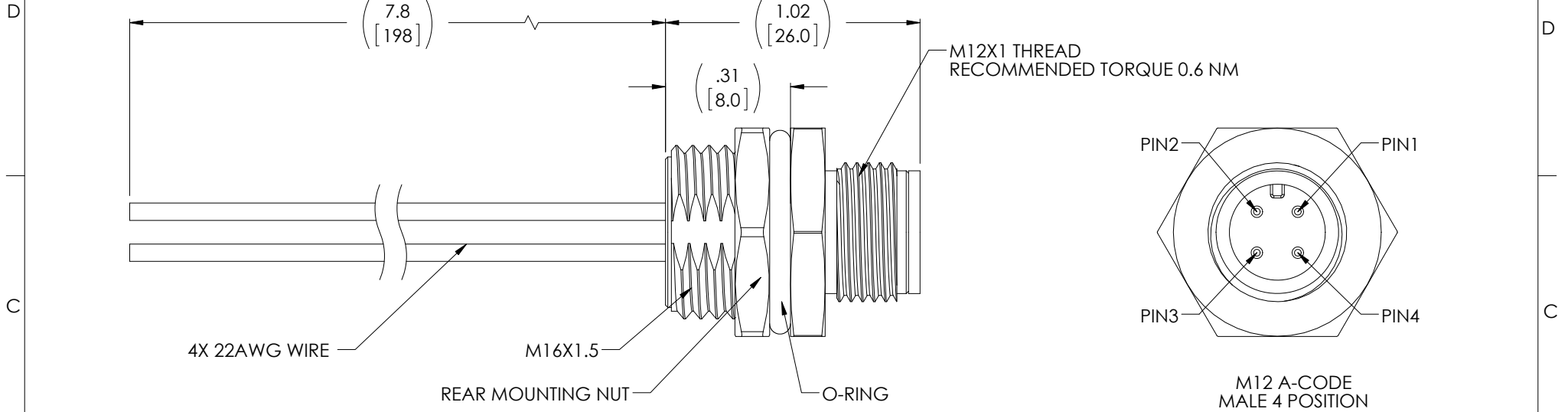
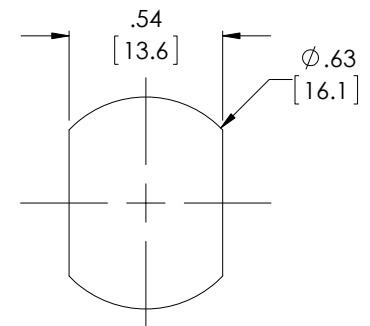


THE INFORMATION CONTAINED IN THIS DRAWING IS THE SOLE PROPERTY OF L-COM, INC. ANY REPRODUCTION IN PART OR WHOLE WITHOUT THE WRITTEN PERMISSION OF L-COM, INC. IS PROHIBITED.

REVISIONS			
REV	DESCRIPTION	DATE	APPROVED
A	INITIAL RELEASE	04/05/17	J.LABOY

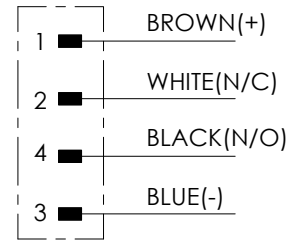


M12 A-CODE MALE 4 POSITION



RECOMMENDED CUT-OUT SIZE
PANEL THICKNESS .177[4.5MM]MAX

WIRING DIAGRAM



M12 MALE

NOTES:

MECHANICAL DATA

- HOUSING: M12 MALE, 4 POLE, A-CODE, REAR MOUNTING
- MATERIAL: CUZIN, NICKEL PLATED
- NO./DIAMETER OF WIRES: 4X22AWG
- WIRE ISOLATION: PP
- WIRE DIAMETER: .049 [1.25MM](APPROX.)
- BEND RADIUS: 5XOD (FIXED), 10XOD(MOVING)
- PROTECTION: IP66K, IP67(WHEN MATED AND TIGHTENED, EN60529)
- TEMPERATURE RANGE: -40°C TO +80°C(FIXED); -25°C TO +80°C(MOBILE)

MISCELLANEOUS

- OPERATING VOLTAGE: MAX 250V AC/DC
- RATED CURRENT: MAX 4A PER CONTACT
- SHIPS UNASSEMBLED

REGULATORY COMPLIANCE:

CE 2011/65/EU(ROHS DIRECTIVE)

UNLESS OTHERWISE SPECIFIED, DIMENSIONS ARE IN INCHES [mm] OVERALL CABLE LENGTH TOLERANCE: ≤12 [305] = +1 [25] / -0 >12 [305] ≤60 [1524] = +2 [51] / -0 >60 [1524] ≤120 [3048] = +4 [102] / -0 >120 [3048] ≤300 [7620] = +6 [152] / -0 >300 [7620] = +5% / -0% ALL OTHER DIMENSIONAL TOLERANCES: .X = ±.2 [5.08] .XX = ±.02 [5.1] .XXX = ±.005 [1.3]	APPROVALS DRAWN BY D.CUI CHECKED BY B.ZHANG APPROVED BY S.PAN	DATE 03/30/17 03/30/17 03/30/17	50 HIGH STREET NORTH ANDOVER, MA 01845	
	CONFIGURATION DETAILS OF UNDIMENSIONED FEATURES MAY VARY			CATEGORY TELECOM/MODULAR
	PROJECTION 	COLOR VARIATIONS MAY OCCUR	SIZE A	FSCM NO. 43321
	DWG. NO. REC-M124AMR-L		REV. A	PRODUCT DESCRIPTION REC-M12 MALE 4-POLE TO BLUNT END
SCALE: NONE		CAD FILE: REC-M124AMR-L.SLDDRW		
SHEET 1 OF 1				