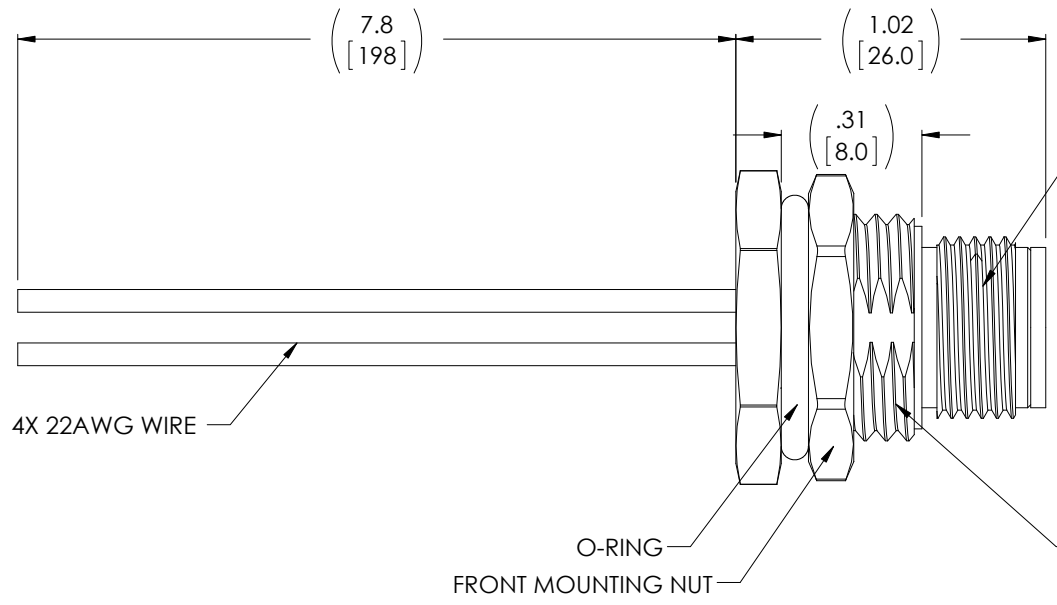
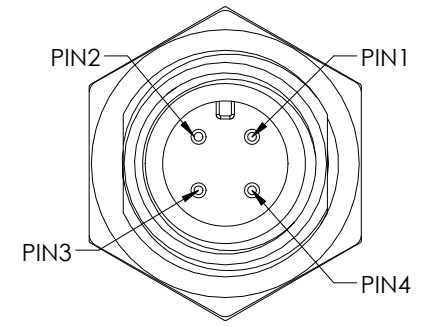


THE INFORMATION CONTAINED IN THIS DRAWING IS THE SOLE PROPERTY OF L-COM, INC. ANY REPRODUCTION IN PART OR WHOLE WITHOUT THE WRITTEN PERMISSION OF L-COM, INC. IS PROHIBITED.

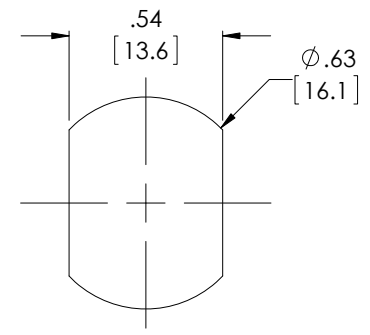
REVISIONS			
REV	DESCRIPTION	DATE	APPROVED
A	INITIAL RELEASE	04/05/17	J.LABOY



M12X1 THREAD
RECOMMENDED TORQUE 0.6 NM

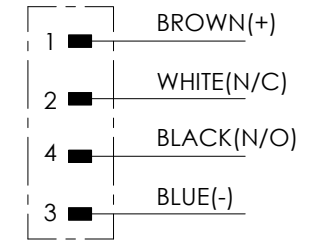


M12 A-CODE
MALE 4 POSITION



RECOMMENDED CUT-OUT SIZE
PANEL THICKNESS .177[4.5MM]MAX

WIRING DIAGRAM



M12 MALE

NOTES:

MECHANICAL DATA

- HOUSING: M12 MALE, 4 POLE, A-CODE, FRONT MOUNTING
- MATERIAL: CUZIN, NICKEL PLATED
- NO./DIAMETER OF WIRES: 4X22AWG
- WIRE ISOLATION: PP
- WIRE DIAMETER: APPROX .049[1.25MM]
- BEND RADIUS: 5XOD(FIXED), 10XOD(MOVING)
- PROTECTION: IP66K, IP67(WHEN MATED AND TIGHTENED, EN60529)
- TEMPERATURE RANGE: -40°C TO +80°C (FIXED); -25°C TO +80°C (MOBILE)

MISCELLANEOUS

- OPERATING VOLTAGE: MAX 250V AC/DC
- RATED CURRENT: MAX 4A PER CONTACT
- SHIPS UNASSEMBLED

REGULATORY COMPLIANCE:

CE 2011/65/EU(ROHS DIRECTIVE)

UNLESS OTHERWISE SPECIFIED, DIMENSIONS ARE IN INCHES [mm] OVERALL CABLE LENGTH TOLERANCE: ≤12 [305] = +1 [25] / -0 >12 [305] ≤60 [1524] = +2 [51] / -0 >60 [1524] ≤120 [3048] = +4 [102] / -0 >120 [3048] ≤300 [7620] = +6 [152] / -0 >300 [7620] = +5% / -0% ALL OTHER DIMENSIONAL TOLERANCES: .X = ±.2 [5.08] .XX = ±.02 [1.51] .XXX = ±.005 [1.13]	APPROVALS DRAWN BY D.CUI	DATE 03/30/17	50 HIGH STREET NORTH ANDOVER, MA 01845		
	CHECKED BY B.ZHANG	DATE 03/30/17		CATEGORY TELECOM/MODULAR	
	APPROVED BY S.PAN	DATE 03/30/17		PRODUCT DESCRIPTION REC-M12 MALE 4-POLE TO BLUNT END	
	PROJECTION 	COLOR VARIATIONS MAY OCCUR		SIZE A	FSCM NO. 43321
SCALE: NONE		CAD FILE: REC-M124AMF-L.SLDRW		SHEET 1 OF 1	