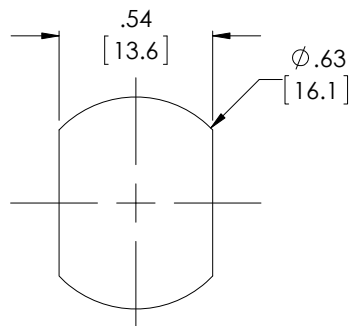
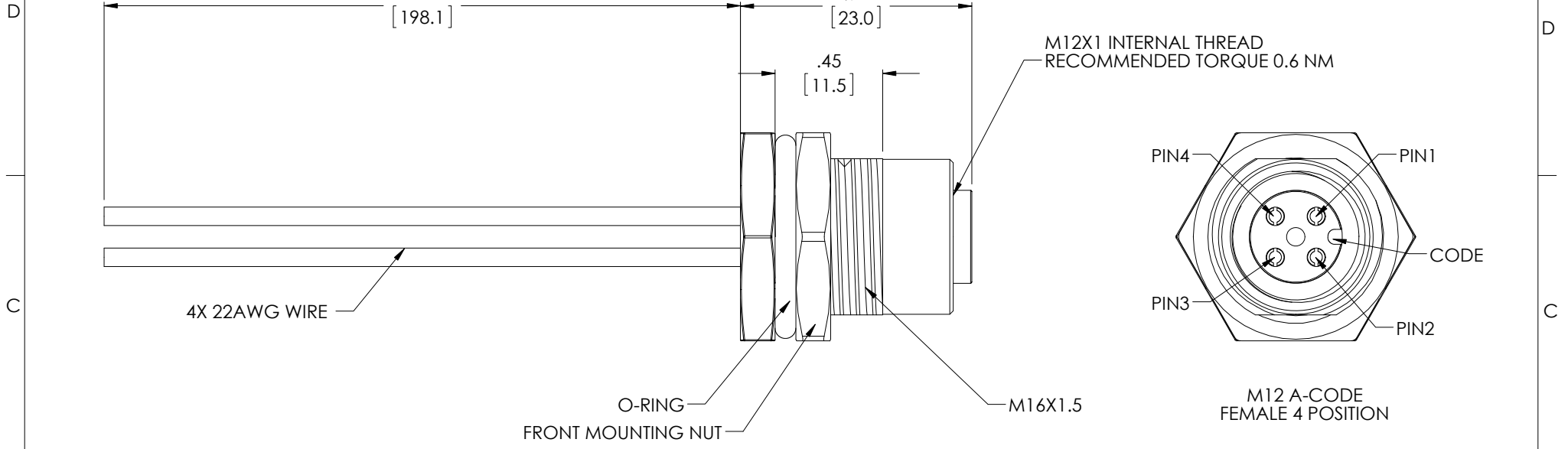
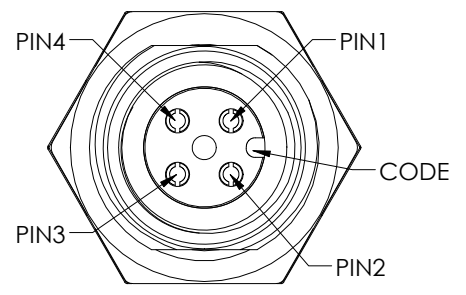


THE INFORMATION CONTAINED IN THIS DRAWING IS THE SOLE PROPERTY OF L-COM, INC. ANY REPRODUCTION IN PART OR WHOLE WITHOUT THE WRITTEN PERMISSION OF L-COM, INC. IS PROHIBITED.

REVISIONS			
REV	DESCRIPTION	DATE	APPROVED
A	INITIAL RELEASE PER DUSTIN GUTTADAURO	04/03/17	J.LABOY

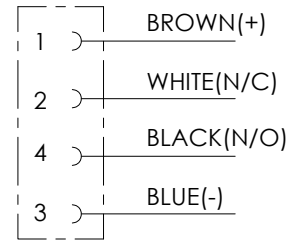


RECOMMENDED CUT-OUT SIZE  
PANEL THICKNESS .177[4.5MM]MAX



M12 A-CODE  
FEMALE 4 POSITION

WIRING DIAGRAM



M12 FEMALE

NOTES:

MECHANICAL DATA

- HOUSING: M12 FEMALE, 4 POLE A-CODE, FRONT MOUNTING
- MATERIAL: CUZN, NICKEL PLATED
- NO./DIAMETER OF WIRES: 4 X 22 AWG
- WIRE ISOLATION: PP
- WIRE DIAMETER: .049 [1.25MM](APPROX.)
- BEND RADIUS: 5XOD (FIXED), 10XOD (MOVING)
- PROTECTION: IP66K, IP67 (WHEN MATED AND TIGHTENED, EN60529)
- TEMPERATURE RANGE: -40°C TO +80°C (FIXED); -25°C TO +80°C (MOBILE)

MISCELLANEOUS

- OPERATING VOLTAGE: MAX 250V AC/DC
- RATED CURRENT: MAX 4A PER CONTACT
- SHIPS UNASSEMBLED

REGULATORY COMPLIANCE:  
CE 2011/65/EU(ROHS DIRECTIVE)

UNLESS OTHERWISE SPECIFIED, DIMENSIONS ARE IN INCHES [mm] OVERALL CABLE LENGTH TOLERANCE: ≤12 [305] = +1 [25] / -0 >12 [305] ≤60 [1524] = +2 [51] / -0 >60 [1524] ≤120 [3048] = +4 [102] / -0 >120 [3048] ≤300 [7620] = +6 [152] / -0 >300 [7620] = +5% / -0% ALL OTHER DIMENSIONAL TOLERANCES: .X = ±.2 [5.08] .XX = ±.02 [51] .XXX = ±.005 [1.27]	APPROVALS DRAWN BY D.CUI	DATE 03/30/17		50 HIGH STREET NORTH ANDOVER, MA 01845		
	CHECKED BY B.ZHANG	DATE 03/30/17		CATEGORY TELECOM/MODULAR		
	APPROVED BY S.PAN	DATE 03/30/17	PRODUCT DESCRIPTION REC-M12 F 4-POLE ,A CODE TO BLUNT END			
	PROJECTION 	CONFIGURATION DETAILS OF UNDIMENSIONED FEATURES MAY VARY	COLOR VARIATIONS MAY OCCUR	SIZE <b>A</b>	FSCM NO. <b>43321</b>	DWG. NO. REC-M124AFF-L