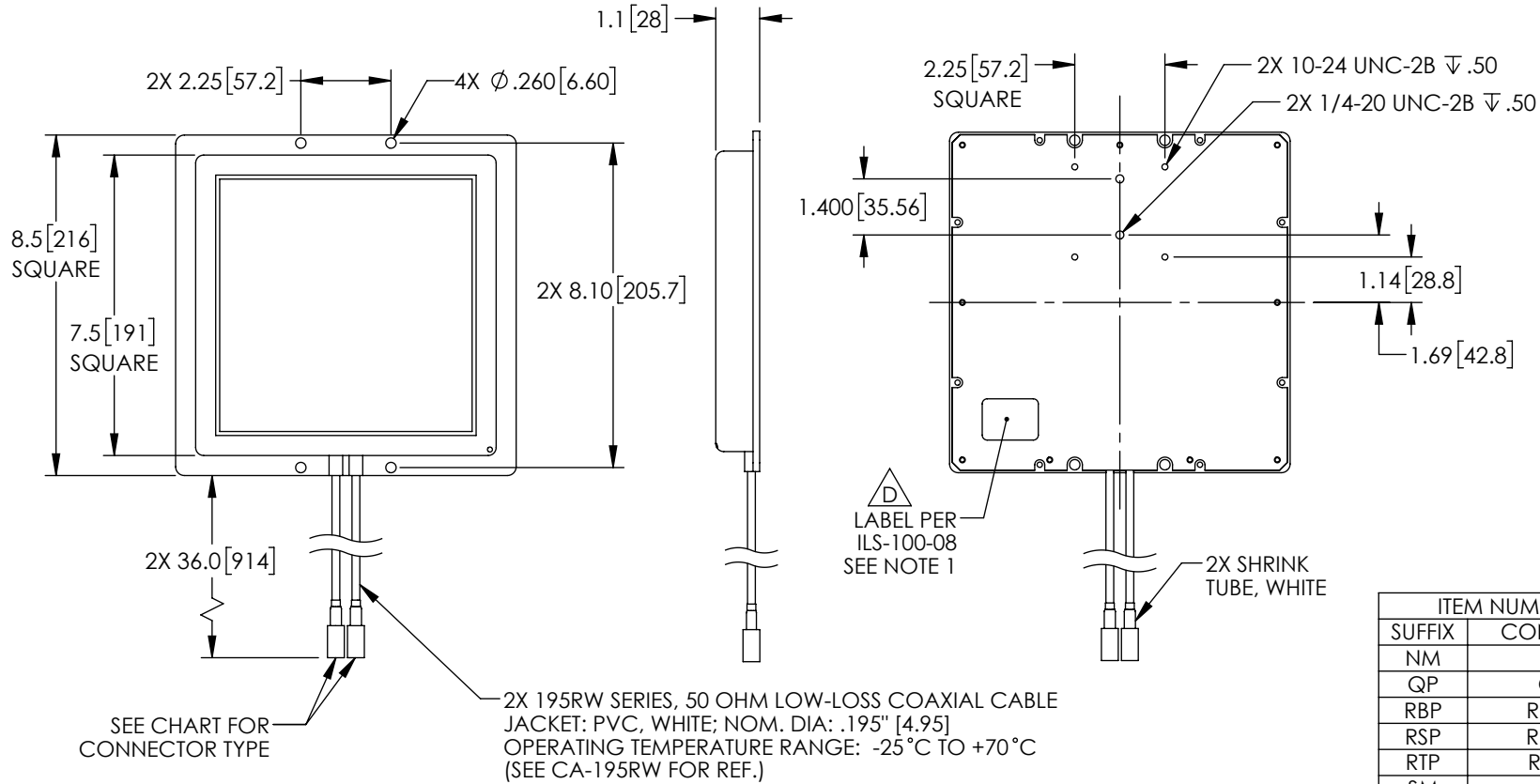


THE INFORMATION CONTAINED IN THIS DRAWING IS THE SOLE PROPERTY OF L-COM, INC. ANY REPRODUCTION IN PART OR WHOLE WITHOUT THE WRITTEN PERMISSION OF L-COM, INC. IS PROHIBITED.


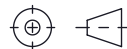
REVISIONS			
REV	DESCRIPTION	DATE	APPROVED
A	INITIAL RELEASE	2/7/12	D.GRIFFIN
B	ECN 7426 REMOVE SUFFIX AM FROM CONNECTOR CHART	05/09/14	B.PUCHASKI
C	ECN 8335 UPDATE CONNECTOR CHART WITH QPR AND QP	05/17/16	B.PUCHASKI
D	ECN 10766: ADDED NOTE. DRAWING UPDATED	11/04/2020	KHIETPAS



SUFFIX	CONNECTOR TYPE
NM	N-MALE
QP	QMA PLUG
RBP	RP BNC PLUG
RSP	RP SMA PLUG
RTP	RP TNC PLUG
SM	SMA MALE

NOTES:

- LABEL PER ILS-100-08. FOR INTERNAL REFERENCE ONLY. LABEL LOCATION AS SHOWN.
 - PACKAGING:
COMPONENT SHALL BE PACKAGED IN ACCORDANCE WITH L-COM SPEC PKG-00012.
- ALL DIMENSIONS FOR REFERENCE ONLY -

UNLESS OTHERWISE SPECIFIED, DIMENSIONS ARE IN INCHES [mm]		APPROVALS	DATE	 50 High Street, West Mill, North Andover, MA 01845 USA. Phone: 1.800.341.5266 1.978.682.6936
OVERALL CABLE LENGTH TOLERANCE: ≤12 [305] = +1 [25] / -0 >12 [305] ≤60 [1524] = +2 [51] / -0 >60 [1524] ≤120 [3048] = +4 [102] / -0 >120 [3048] ≤300 [7620] = +6 [152] / -0 >300 [7620] = +5% / -0		DRAWN BY B.PUCHASKI	02/06/12	
ALL OTHER DIMENSIONAL TOLERANCES: .X = ± .2 [5] FRACTIONS ± 1/32 .XX = ± .02 [5] ANGLES ± 1° .XXX = ± .005 [13]		CHECKED BY P.PESA	02/06/12	
THIRD-ANGLE PROJECTION 		APPROVED BY P.PESA	02/06/12	
CONFIGURATION DETAILS OF UNDIMENSIONED FEATURES MAY VARY		COLOR VARIATIONS MAY OCCUR		CATEGORY ANTENNA
PRODUCT DESCRIPTION 2.4GHz 11dBi Dual Spacial Diversity Antenna w/ 3 Foot Connector Pigtail		SIZE A	CAGE CODE 43321	ITEM NO. RE11DS
SCALE: NONE		CAD FILE: RE11DS.SLDDRW		SHEET 1 OF 1