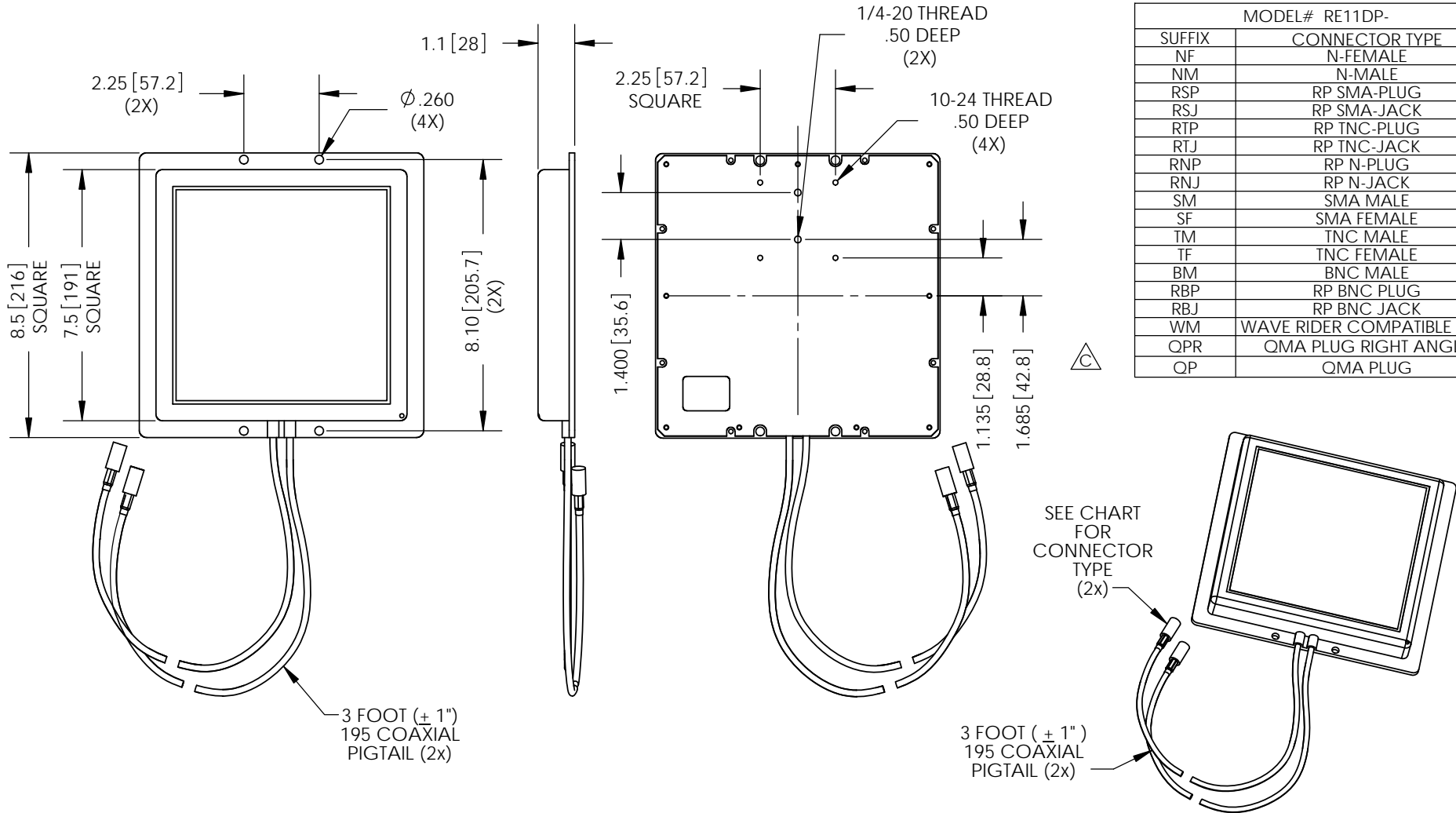


THE INFORMATION CONTAINED IN THIS DRAWING IS THE SOLE PROPERTY OF L-COM, INC. ANY REPRODUCTION IN PART OR WHOLE WITHOUT THE WRITTEN PERMISSION OF L-COM, INC. IS PROHIBITED.

REVISIONS			
REV	DESCRIPTION	DATE	APPROVED
A	INITIAL RELEASE	2/7/12	D.GRIFFIN
B	ECN 7426 REMOVE SUFFIX AM FROM CONNECTOR CHART	05/09/14	B.PUCHASKI
C	ECN 8335 UPDATE CONNECTOR CHART WITH OP AND OPR	05/13/16	B.PUCHASKI

MODEL# RE11DP-	
SUFFIX	CONNECTOR TYPE
NF	N-FEMALE
NM	N-MALE
RSP	RP SMA-PLUG
RSJ	RP SMA-JACK
RTP	RP TNC-PLUG
RTJ	RP TNC-JACK
RNP	RP N-PLUG
RNJ	RP N-JACK
SM	SMA MALE
SF	SMA FEMALE
TM	TNC MALE
TF	TNC FEMALE
BM	BNC MALE
RBP	RP BNC PLUG
RBJ	RP BNC JACK
WM	WAVE RIDER COMPATIBLE TYPE
QPR	QMA PLUG RIGHT ANGLE
QP	QMA PLUG



NOTES:
PACKAGING:
 COMPONENT SHALL BE PACKAGED IN ACCORDANCE WITH L-COM SPEC PKG-00012

- ALL DIMENSIONS FOR REFERENCE -

REGULATORY COMPLIANCE:
 CE2011/65/EU(RoHS DIRECTIVE)

UNLESS OTHERWISE SPECIFIED, DIMENSIONS ARE IN INCHES [mm]	APPROVALS	DATE		50 HIGH STREET NORTH ANDOVER, MA 01845	
	DRAWN BY B.PUCHASKI	02/06/12		CATEGORY	
DIMENSIONAL TOLERANCES: .X = $\pm .1$ [2.54] .XX = $\pm .01$ [.25] .XXX = $\pm .005$ [.13]	CHECKED BY P.PESA	02/06/12	ANTENNA		
	APPROVED BY P.PESA	02/06/12	PRODUCT DESCRIPTION 2.4GHz 11dBi DUAL POLARIZED DIVERSITY ANTENNA W/3 FOOT CONNECTOR PIGTAIL		
ANGULAR TOLERANCES: ALL = $\pm 1^\circ$	CONFIGURATION DETAILS OF UNDIMENSIONED FEATURES MAY VARY		SIZE A	FSCM NO. 43321	DWG. NO. RE11DP
PROJECTION 	COLOR VARIATIONS MAY OCCUR		SCALE: NONE	CAD FILE: RE11DP.SLDDRW	REV. C
					SHEET 1 OF 1