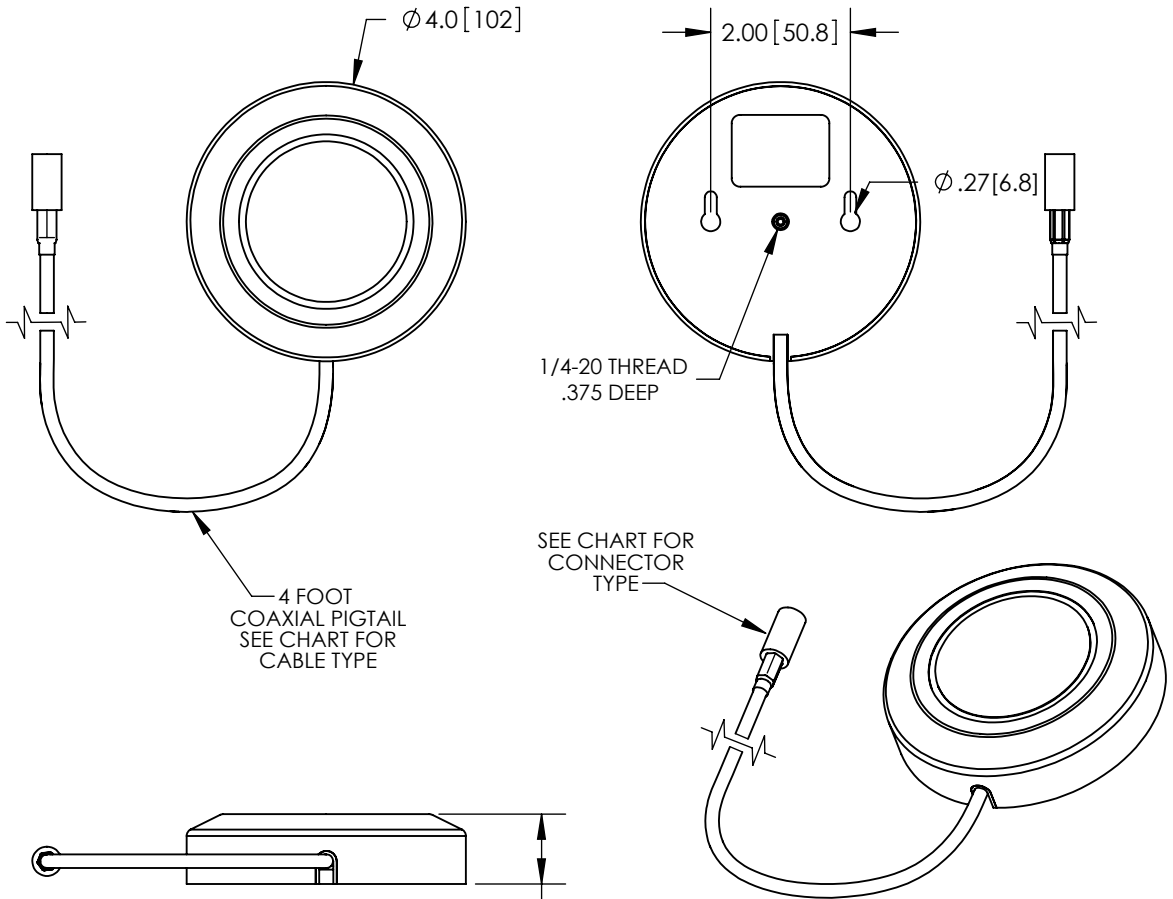


THE INFORMATION CONTAINED IN THIS DRAWING IS THE SOLE PROPERTY OF L-COM, INC. ANY REPRODUCTION IN PART OR WHOLE WITHOUT THE WRITTEN PERMISSION OF L-COM, INC. IS PROHIBITED.

REVISIONS			
REV	DESCRIPTION	DATE	APPROVED
A	INITIAL RELEASE	2/8/12	D.GRIFFIN
-	-	-	-
-	-	-	-


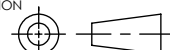
195-SERIES		MODEL# RE08P-
SUFFIX	CONNECTOR TYPE	
NF	N-FEMALE	
NM	N-MALE	
RSP	RP SMA-PLUG	
RSJ	RP SMA-JACK	
RTP	RP TNC-PLUG	
RTJ	RP TNC-JACK	
RNP	RP N-PLUG	
RNJ	RP N-JACK	
SM	SMA MALE	
SF	SMA FEMALE	
TM	TNC MALE	
TF	TNC FEMALE	
BM	BNC MALE	
RBP	RP BNC PLUG	
RBJ	RP BNC JACK	
WM	WAVE RIDER COMPATIBLE TYPE	
AM	ORINOCO COMPATIBLE TYPE	
QP	QMA PLUG RIGHT ANGLE	

100-SERIES		MODEL# RE08P-
SUFFIX	CONNECTOR TYPE	
MC	MC CARD MALE	
MM	MMCX MALE	



RoHS Compliant ✓

NOTES:
 PACKAGING:
 COMPONENT SHALL BE PACKAGED IN ACCORDANCE WITH L-COM SPEC PKG-00012
 - ALL DIMENSIONS FOR REFERENCE -

UNLESS OTHERWISE SPECIFIED, DIMENSIONS ARE IN INCHES [mm] DIMENSIONAL TOLERANCES: .X = ±.1 .XX = ±.01 .XXX = ±.005 ANGULAR TOLERANCES: ALL = ± 1°	APPROVALS	DATE	 45 BEECHWOOD DRIVE NORTH ANDOVER, MA 01845
	DRAWN BY B.PUCHASKI	02/03/12	
PROJECTION 	CHECKED BY P.PESA	02/03/12	CATEGORY ANTENNA
	APPROVED BY P.PESA	02/03/12	
CONFIGURATION DETAILS OF UNDIMENSIONED FEATURES MAY VARY COLOR VARIATIONS MAY OCCUR	PRODUCT DESCRIPTION 2.4 GHz 8dBi ROUND PATCH ANTENNA W/ CONNECTOR PIGTAIL		SIZE A FSCM NO. 43321 DWG. NO. RE08P REV. A
SCALE: NONE	CAD FILE: RE08P.SLDRW	SHEET 1 OF 1	