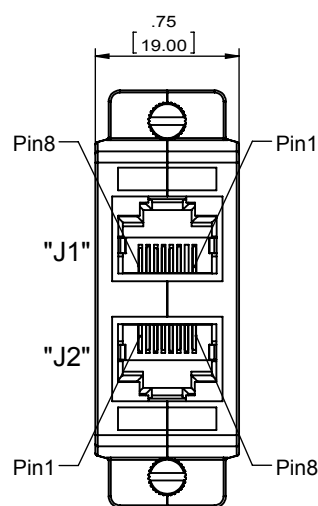
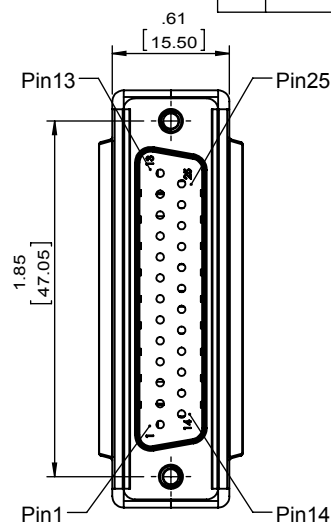
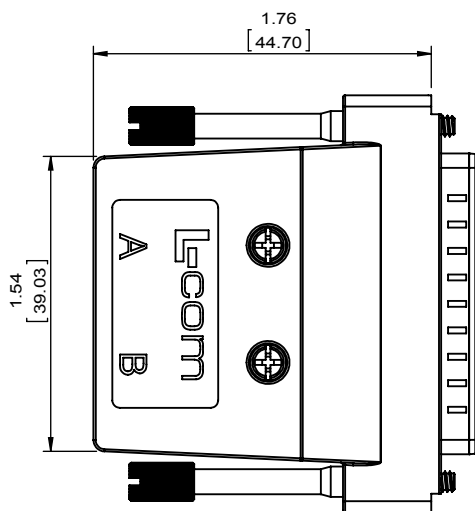


THE INFORMATION CONTAINED IN THIS DRAWING IS THE SOLE PROPERTY OF L-COM, INC. ANY REPRODUCTION IN PART OR WHOLE WITHOUT THE WRITTEN PERMISSION OF L-COM, INC. IS PROHIBITED.

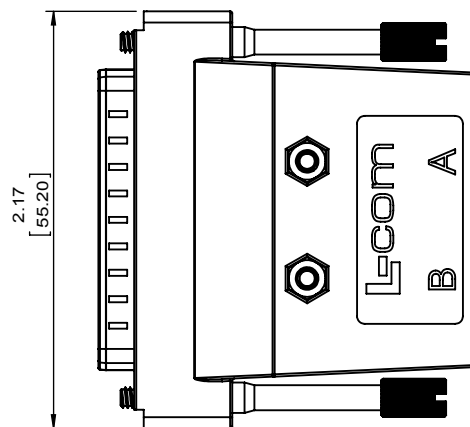
REVISIONS			
REV	DESCRIPTION	DATE	APPROVED
A	INITIAL RELEASE	4/24/13	D.GRIFFIN
B	ECN7014; ADDED NOTE 4	08/16/2013	B.ZHANG
C	ECN7533; REVISE PLATING OF DIE CAST HOOD, ADDED NOTES 5, NEW RoHS FORMAT	07/29/2014	B.ZHANG



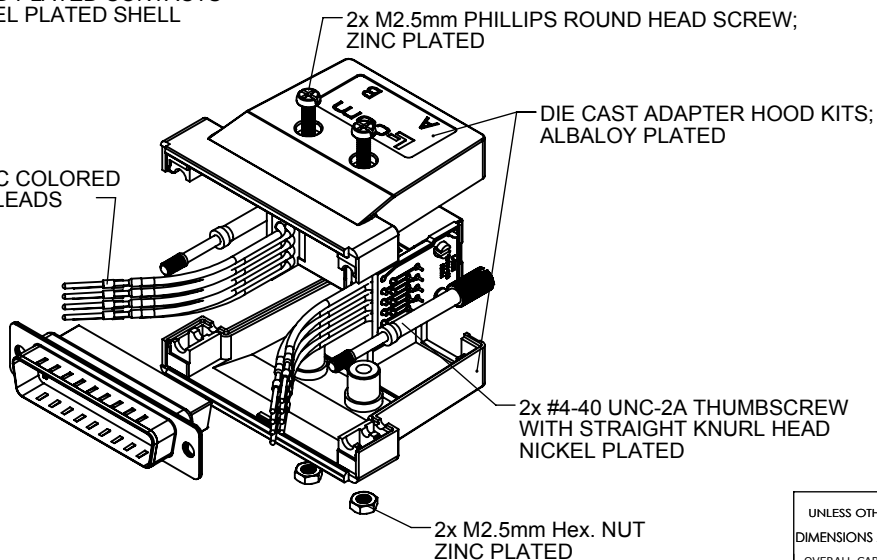
2xRJ45 8P8C SHIELDED FEMALE
50u" GOLD PLATED CONTACTS
NICKEL PLATED SHELL



D-SUB 25P CRIMP MALE
15u" GOLD PLATED PINS
NICKEL PLATED SHELL



2 SETS OF USOC COLORED CRIMP & POKE LEADS



NOTES

- 1.RJ45 FEMALE MEETS TO TIA-1096
- 2.LEAD WIRE: UL1061, 26AWG STRANDED COPPER CONDUCTORS
- 3.ADAPTER SHALL BE INDIVIDUALLY PACKAGED IN ACCORDANCE WITH L-COM PACKAGING SPEC. PS-0031.
- 4.ADAPTER SHIPPED UNASSEMBLED
- 5.ALL DIMENSIONS ARE FOR REFERENCE ONLY

REGULATORY COMPLIANCE:
CE2011/65/EU(RoHS DIRECTIVE)

WIRING MAP		
"J1" (A)	"J2" (B)	WIRE COLOR
Pin1	Pin1	BLUE
Pin2	Pin2	ORANGE
Pin3	Pin3	BLACK
Pin4	Pin4	RED
Pin5	Pin5	GREEN
Pin6	Pin6	YELLOW
Pin7	Pin7	BROWN
Pin8	Pin8	WHITE

UNLESS OTHERWISE SPECIFIED, DIMENSIONS ARE IN INCHES [mm] OVERALL CABLE LENGTH TOLERANCE ≤12[305]=+1[25/-0] >12[305]≤60[1524]=+2[51/-0] >60[1524]≤120[3048]=+4[102/-0] >120[3048]≤300[7620]=+6[152/-0] >300[7620]=+5%/-0 ALL OTHER DIMENSION TOLERANCES: .X=-.2[5.1] .XX=-.02[.51] .XXX=-.005[.13]	APPROVALS	DATE	Global Connectivity 45 BEECHWOOD DRIVE NORTH ANDOVER, MA 01845	
	DRAWN BY B.Zhang	03/28/2013		CATEGORY ADAPTER
	CHECKED BY F.Mao	04/18/2013		PRODUCT DESCRIPTION ADAPTER SHIELD, DB25 M/2xRJ45J
	APPROVED BY T.Lu	04/18/2013		
PROJECTION 	CONFIGURATION DETAILS OF UNDIMENSIONED FEATURES MAY VARY	COLOR VARIATIONS MAY OCCUR	SIZE A FSCM NO. 43321 DWG. NO. RA2588MS REV. C SCALE: NONE CAD FILE: RA2588MS.SLDDRW SHEET 1 OF 1	