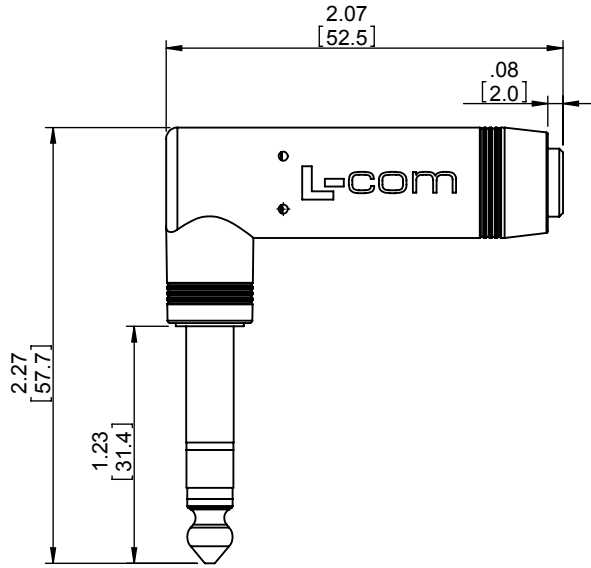


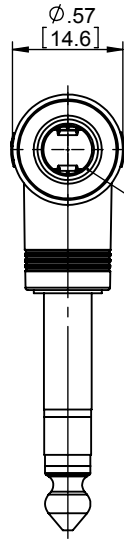
THE INFORMATION CONTAINED IN THIS DRAWING IS THE SOLE PROPERTY OF L-COM, INC. ANY REPRODUCTION IN PART OR WHOLE WITHOUT THE WRITTEN PERMISSION OF L-COM, INC. IS PROHIBITED.

RoHS Compliant

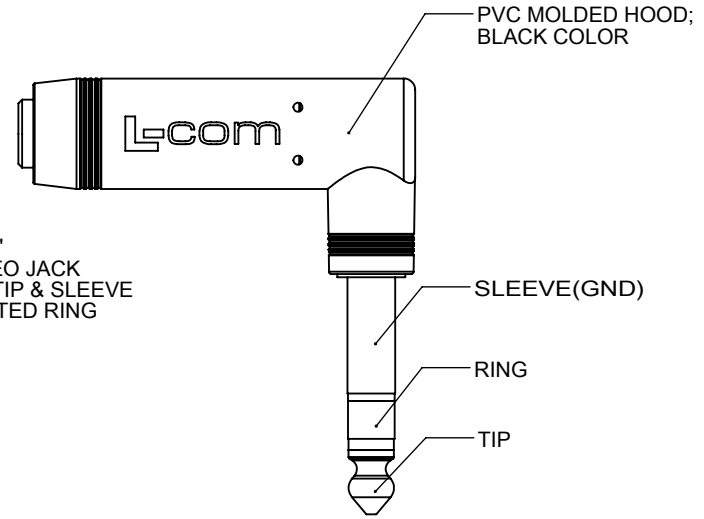
REVISIONS			
REV	DESCRIPTION	DATE	APPROVED
A	CN INITIAL RELEASE	12/05/2012	B.Zhang



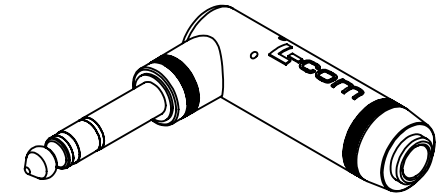
"P1"
1/4" STEREO PLUG
GOLD PLATED TIP & RING & SLEEVE



"J1"
1/4" STEREO JACK
GOLD PLATED TIP & SLEEVE
NICKEL PLATED RING



WIRING MAP	
"P1"	"J1"
TIP	TIP
RING	RING
SLEEVE	SLEEVE



NOTES

- ADAPTER TO BE TESTED FOR CONTINUITY
- ADAPTER TO BE INDIVIDUALLY PACKAGED IN ACCORDANCE WITH L-com PACKAGING SPEC. PS-0031

UNLESS OTHERWISE SPECIFIED, DIMENSIONS ARE IN INCHES [mm] OVERALL CABLE LENGTH TOLERANCE $\leq 12[305] = +1[25/-0]$ $> 12[305] \leq 60[1524] = +2[51/-0]$ $> 60[1524] \leq 120[3048] = +4[102/-0]$ $> 120[3048] \leq 300[7620] = +6[152/-0]$ $> 300[7620] = +5\%/-0$ ALL OTHER DIMENSION TOLERANCES: .X = .2 .XX = .02 .XXX = .005	APPROVALS DRAWN BY B.Zhang	DATE 04/13/2012	45 BEECHWOOD DRIVE NORTH ANDOVER, MA 01845		
	CHECKED BY F.Mao	DATE 04/16/2012		CATEGORY AUDIO/VIDEO	
	APPROVED BY T.Lu	DATE 04/16/2012	PRODUCT DESCRIPTION 1/4" STEREO M/F, RIGHT ANGLE ADAPTER		
	PROJECTION 	CONFIGURATION DETAILS OF UNDIMENSIONED FEATURES MAY VARY COLOR VARIATIONS MAY OCCUR	SIZE A	FSCM NO. 43321	DWG. NO. RA-14M214F