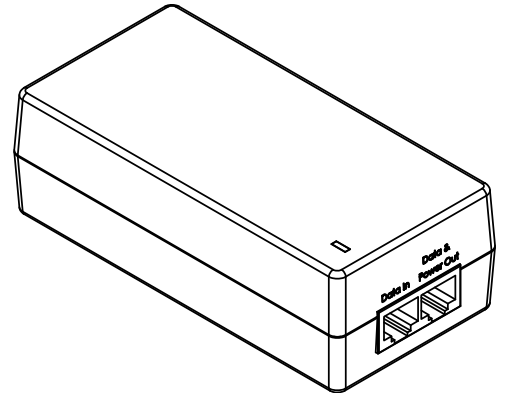
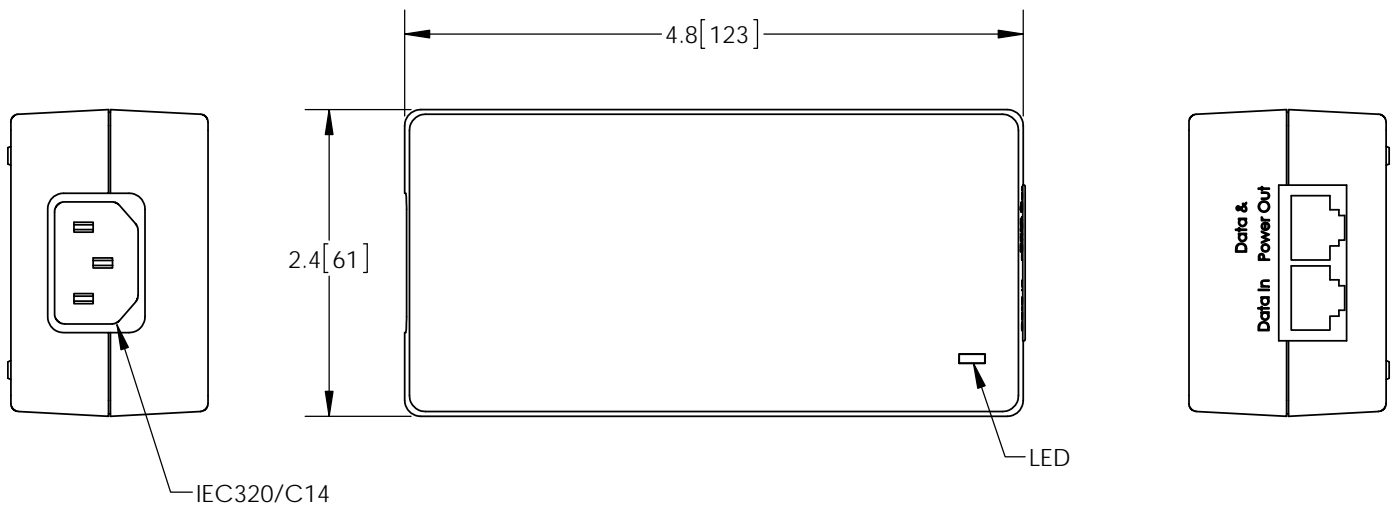



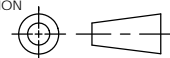
THE INFORMATION CONTAINED IN THIS DRAWING IS THE SOLE PROPERTY OF L-COM, INC. ANY REPRODUCTION IN PART OR WHOLE WITHOUT THE WRITTEN PERMISSION OF L-COM, INC. IS PROHIBITED.

REVISIONS			
REV	DESCRIPTION	DATE	APPROVED
A	INITIAL RELEASE	7/25/12	D. DESJARDIN



NOTES:  
 PACKAGING:  
 SHALL BE PACKAGED AS PER L-COM SPEC PKG-00091  
 - ALL DIMENSIONS FOR REFERENCE ONLY -

RoHS Compliant ✓

UNLESS OTHERWISE SPECIFIED, DIMENSIONS ARE IN INCHES [mm]	APPROVALS	DATE	 45 BEECHWOOD DRIVE NORTH ANDOVER, MA 01845			
	DRAWN BY B. PUCHASKI	07/25/12				
	DIMENSIONAL TOLERANCES: .X = ±.1 .XX = ±.01 .XXX = ±.005	CHECKED BY K. BURGNER	07/25/12	CATEGORY POWER PRODUCTS		
ANGULAR TOLERANCES: ALL = ± 1°	APPROVED BY K. BURGNER	07/25/12	PRODUCT DESCRIPTION DESKTOP 56VDC PoE INJECTOR W/ 56W 1A POWER SUPPLY			
PROJECTION 	CONFIGURATION DETAILS OF UNDIMENSIONED FEATURES MAY VARY		SIZE <b>A</b>	FSCM NO. <b>43321</b>	DWG. NO. PS5656-POE	REV. <b>A</b>
	COLOR VARIATIONS MAY OCCUR		SCALE: NONE		CAD FILE: PS5656-POE.SLDDRW	SHEET 1 OF 1