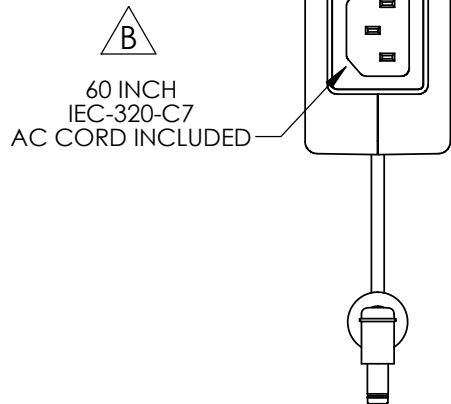
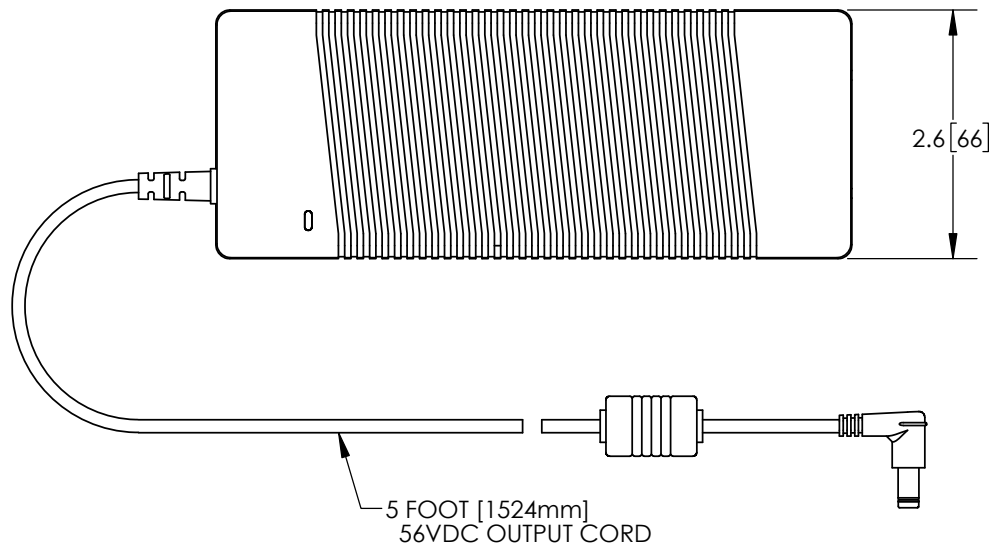
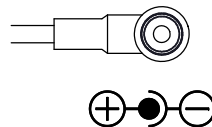
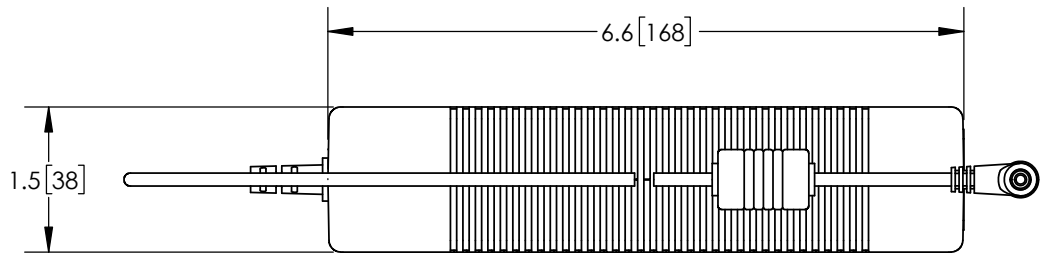


THE INFORMATION CONTAINED IN THIS DRAWING IS THE SOLE PROPERTY OF L-COM, INC. ANY REPRODUCTION IN PART OR WHOLE WITHOUT THE WRITTEN PERMISSION OF L-COM, INC. IS PROHIBITED.


REVISIONS			
REV	DESCRIPTION	DATE	APPROVED
A	INITIAL RELEASE	9/26/12	D.GRIFFIN
B	ECN 11015 CHANGE 39 INCH TO 69 INCH	03/04/2021	MBLACKWOOD



NOTES:  
 SPECIFICATIONS:  
 SWITCHING POWER SUPPLY  
 56VDC @ 117.6W, 2.1A  
 110/220VAC  
 2.5mm RT ANGLE DC PLUG  
 CENTER POSITIVE W/ 5 FOOT LEAD

MISCELLANEOUS:  
 ALL PARTS SHALL BE PACKAGED AS PER  
 L-COM SPEC PKG-00012

- ALL DIMENSIONS FOR REFERENCE ONLY -

UNLESS OTHERWISE SPECIFIED, DIMENSIONS ARE IN INCHES [mm]  OVERALL CABLE LENGTH TOLERANCE: ≤12 [305] = +1 [25] / -0 >12 [305] ≤60 [1524] = +2 [51] / -0 >60 [1524] ≤120 [3048] = +4 [102] / -0 >120 [3048] ≤300 [7620] = +6 [152] / -0 >300 [7620] = +5% / -0  ALL OTHER DIMENSIONAL TOLERANCES: .X = ± .2 [5]      FRACTIONS ± 1/32 .XX = ± .02 [5]      ANGLES ± 1° .XXX = ± .005 [13]	APPROVALS	DATE	 an INFINITI® brand  50 High Street, West Mill, North Andover, MA 01845 USA. Phone: 1.800.341.5266 1.978.682.6936	
	DRAWN BY B.PUCHASKI	09/25/12		CATEGORY  <b>POWER PRODUCTS</b>  PRODUCT DESCRIPTION <b>POWER SUPPLY, SWITHING56VDC          @117.6W 2.1A 2.5mm R/A DC PLUG</b>
	CHECKED BY M.MARTINEZ	09/25/12		
	APPROVED BY M.MARTINEZ	09/25/12		
THIRD-ANGLE PROJECTION	CONFIGURATION DETAILS OF UNDIMENSIONED FEATURES MAY VARY	COLOR VARIATIONS MAY OCCUR	SCALE: NONE    CAD FILE: PS56118-25R.SLDDRW    SHEET 1 OF 1	
SIZE <b>A</b> CAGE CODE <b>43321</b> ITEM NO. <b>PS56118-25R</b> REV. <b>B</b>				