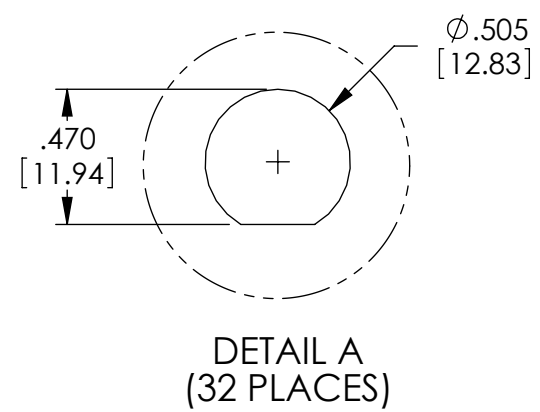
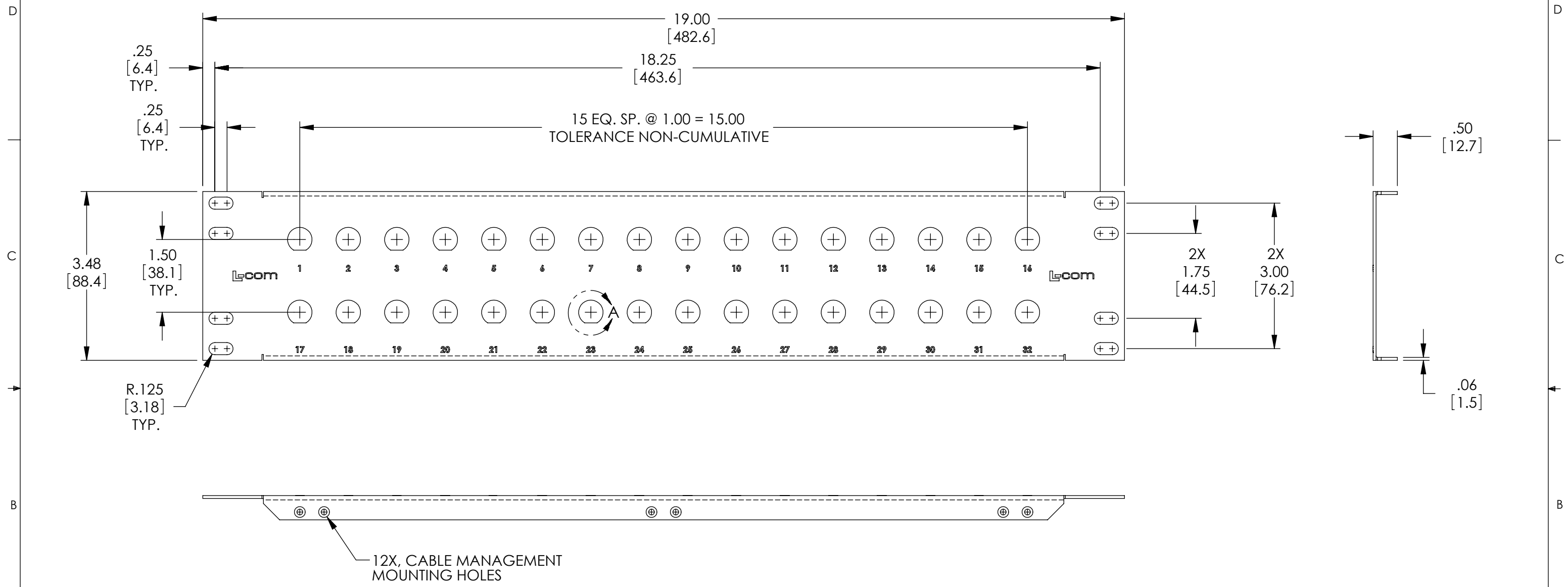


THE INFORMATION CONTAINED IN THIS DRAWING IS THE SOLE PROPERTY OF L-COM, INC. ANY REPRODUCTIONS IN PART OR WHOLE WITHOUT THE WRITTEN PERMISSION OF L-COM, INC. IS PROHIBITED.

REVISIONS			
REV	DESCRIPTION	DATE	CHANGED BY
A	INITIAL RELEASE	05/10/05	M.LAHEY
B	ECN 5329: RE-MODELED AND RE-DIMENSIONED, NEW FORMAT	2/18/11	D.FRISIELLO



- NOTES:
1. MATERIAL: .06" THICK COLD ROLLED STEEL.
 2. FINISH: FLAT BLACK POWDER COAT.
 3. SILKSCREEN COLOR: WHITE.
 4. PANEL SHALL BE INDIVIDUALLY PACKAGED IN ACCORDANCE WITH L-COM SPECIFICATION PS-0014.

RoHS Compliant ✓

UNLESS OTHERWISE SPECIFIED, DIMENSIONS ARE IN INCHES [mm]
OVERALL CABLE LENGTH TOLERANCE:
≤12 [305] = +1 [25] / -0
>12 [305] ≤60 [1524] = +2[51] / -0
>60 [1524] ≤120 [3048] = +4 [102] / -0
>120 [3048] ≤300 [7620] = +6 [152] / -0
>300 [7620] = +5% / -0%
ALL OTHER DIMENSIONAL TOLERANCES:
.X = ±.2
.XX = ±.02
.XXX = ±.005

APPROVALS	DATE
DRAWN BY M.LAHEY	05/09/05
CHECKED BY D.PARHAM	05/09/05
APPROVED BY R.CARRICK	05/09/05

L-com Global Connectivity
45 BEECHWOOD DRIVE
NORTH ANDOVER, MA
01845

CATEGORY RACK PANELS		PRODUCT DESCRIPTION 3.5"X19" PNL WITH 32 .5" D-HOLES	
SIZE B	FSCM NO. 43321	DWG. NO. PR35-32BLK	REV. B
SCALE: 2:1		CAD FILE: PR35-32BLK.SLDDRW	SHEET 1 OF 1