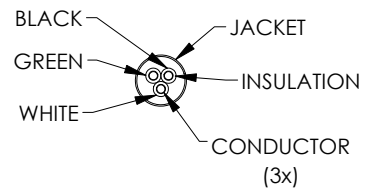
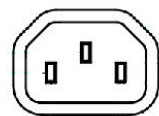
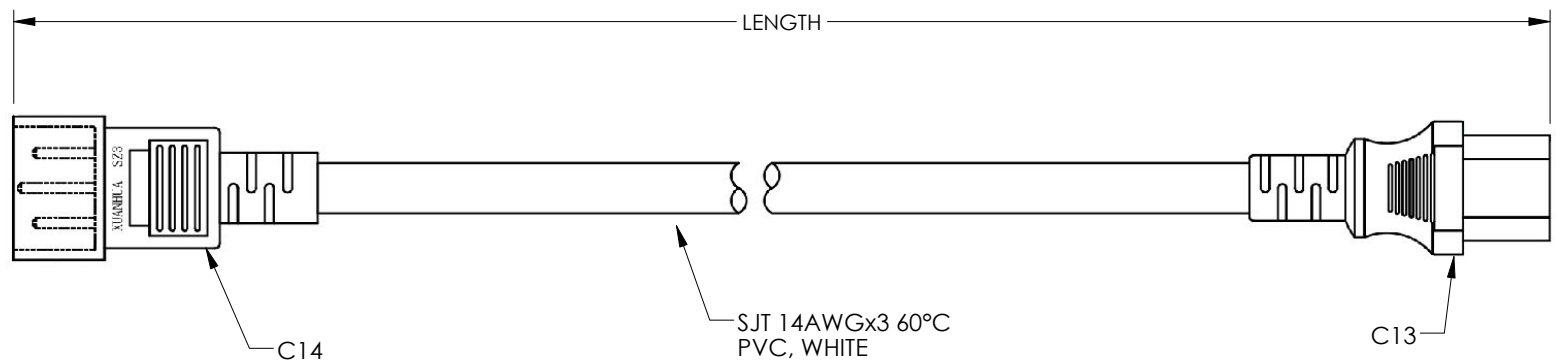


THE INFORMATION CONTAINED IN THIS DRAWING IS THE SOLE PROPERTY OF L-COM, INC. ANY REPRODUCTION IN PART OR WHOLE WITHOUT THE WRITTEN PERMISSION OF L-COM, INC. IS PROHIBITED.


REVISIONS			
REV	DESCRIPTION	DATE	APPROVED
A	INITIAL RELEASE	02/03/2021	MBLACKWOOD



PART NUMBER	LENGTH FEET	LENGTH METERS
PPA00002WH-01F	1.0	.30
PPA00002WH-02F	2.0	.61
PPA00002WH-03F	3.0	.91
PPA00002WH-06F	6.0	1.83
PPA00002WH-15F	15.0	4.57

NOTES:

- VOLTAGE RATING: AC \geq 1500V/S
- CONNECTOR C13 POWER RATING: 15A UL-E257089
- CONNECTOR C14 POWER RATING: 15A UL-E257089
- CABLE: SJT 14AWGx3, 300V, 60°C VW-1 E313867 FT1
- CABLE ASSEMBLY SHALL BE INDIVIDUALLY PACKAGED IN ACCORDANCE WITH SPEC. PS-0031.
- ALL DIMENSIONS FOR REFERENCE ONLY

UNLESS OTHERWISE SPECIFIED, DIMENSIONS ARE IN INCHES [mm] OVERALL CABLE LENGTH TOLERANCE: ≤12 [305] = +1 [25] / -0 >12 [305] ≤60 [1524] = +2 [51] / -0 >60 [1524] ≤120 [3048] = +4 [102] / -0 >120 [3048] ≤300 [7620] = +6 [152] / -0 >300 [7620] = +5% / -0 ALL OTHER DIMENSIONAL TOLERANCES: .X = ± .2 [5] FRACTIONS ± 1/32 .XX = ± .02 [.5] ANGLES ± 1° .XXX = ± .005 [.13]	APPROVALS DRAWN BY BPUCHASKI CHECKED BY DZINN APPROVED BY MBLACKWOOD	DATE 02/03/2021 02/03/2021 02/03/2021	 an INFINITI® brand 50 High Street, West Mill, North Andover, MA 01845 USA. Phone: 1.800.341.5266 1.978.682.6936
	CONFIGURATION DETAILS OF UNDIMENSIONED FEATURES MAY VARY COLOR VARIATIONS MAY OCCUR	CATEGORY POWER PRODUCT PRODUCT DESCRIPTION Heavy Duty CPU/PDU Power Cord - C14 to C13 - 15Amp	SIZE A CAGE CODE 43321 SCALE: NONE