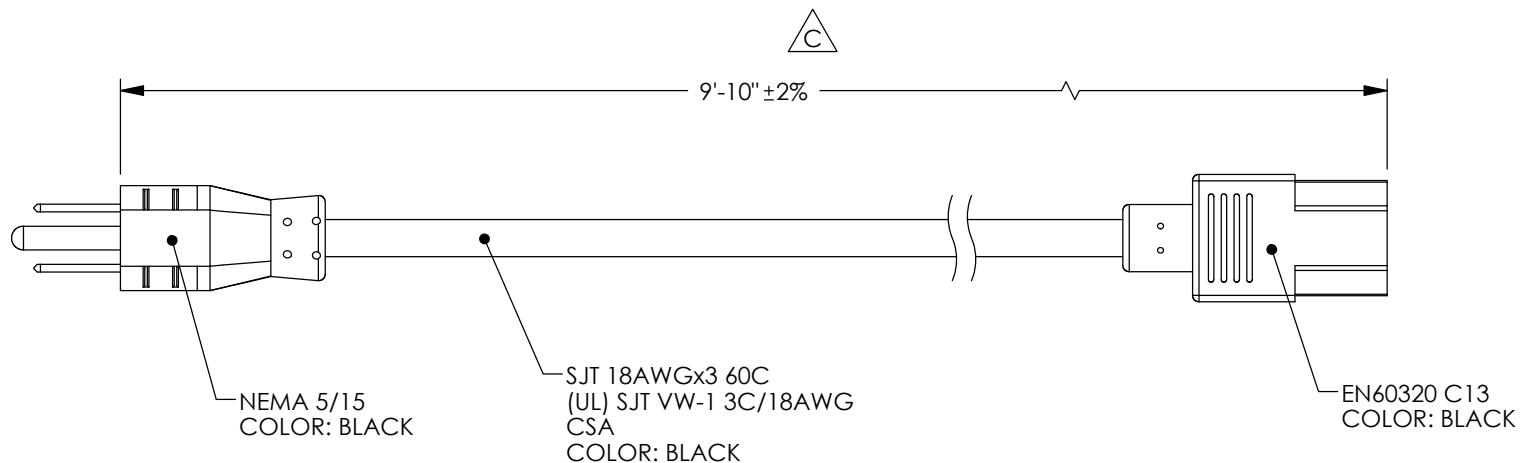


THE INFORMATION CONTAINED IN THIS DRAWING IS THE SOLE PROPERTY OF L-COM, INC. ANY REPRODUCTION IN PART OR WHOLE WITHOUT THE WRITTEN PERMISSION OF L-COM, INC. IS PROHIBITED.

REVISIONS			
REV	DESCRIPTION	DATE	APPROVED
A	INITIAL RELEASE	11/04/04	M.LAHEY
B	ECN 6814: REVISED NOTES, NEW FORMAT, ADDED ROHS STAMP	4/25/13	D.FRISIELLO
C	ECN 7198: ADDED +/-2% TOLERANCE, REVISED ROHS, FORMAT	12/16/13	D.FRISIELLO



BAG LABEL EXAMPLE

PN: PCM1014

NOTES:

1. RATED 10A/125V
2. UL LISTED, CSA APPROVED
3. LOW LEAD CONTENT <300ppm
4. CORD TO BE PLACED IN A CLEAR BAG WITH WHITE LABEL: "PN: PCM1014"
5. CENTER THE LABEL ON THE CLEAR BAG.

REGULATORY COMPLIANCE:
CE2011/65/EU (RoHS DIRECTIVE)

UNLESS OTHERWISE SPECIFIED, DIMENSIONS ARE IN INCHES [mm] OVERALL CABLE LENGTH TOLERANCE: ≤12 [305] = +1 [25] / -0 >12 [305] ≤60 [1524] = +2 [51] / -0 >60 [1524] ≤120 [3048] = +4 [102] / -0 >120 [3048] ≤300 [7620] = +6 [152] / -0 >300 [7620] = +5% / -0%	APPROVALS	DATE		45 BEECHWOOD DRIVE NORTH ANDOVER, MA 01845
	DRAWN BY M.LAHEY	11/01/04		
ALL OTHER DIMENSIONAL TOLERANCES: .X = ±.2 [5.08] .XX = ±.02 [1.51] .XXX = ±.005 [1.13]	CHECKED BY C.MCCOMICK	11/01/04	CATEGORY POWER PRODUCTS	
	APPROVED BY R.CARRICK	11/01/04	PRODUCT DESCRIPTION POWER CORD NEMA 5/15 TO C13	
PROJECTION 	CONFIGURATION DETAILS OF UNDIMENSIONED FEATURES MAY VARY		SIZE A	FSCM NO. 43321
	COLOR VARIATIONS MAY OCCUR		DWG. NO. PCM1014	REV. C
			SCALE: NONE	CAD FILE: PCM1014.SLDDRW
			SHEET 1 OF 1	