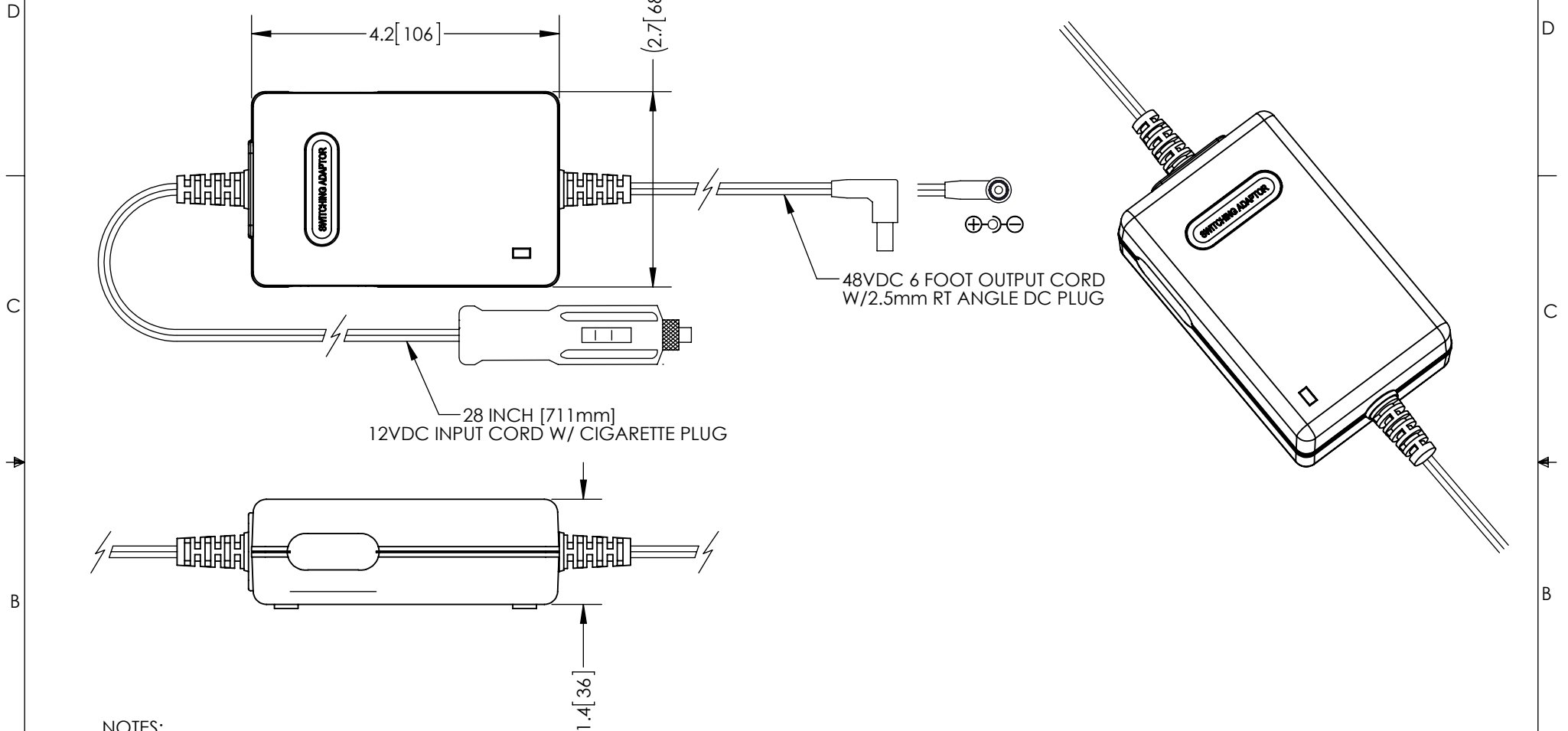


THE INFORMATION CONTAINED IN THIS DRAWING IS THE SOLE PROPERTY OF L-COM, INC. ANY REPRODUCTION IN PART OR WHOLE WITHOUT THE WRITTEN PERMISSION OF L-COM, INC. IS PROHIBITED.

REVISIONS			
REV	DESCRIPTION	DATE	APPROVED
A	INITIAL RELEASE	8/31/12	D.GRIFFIN



**NOTES:
SPECIFICATIONS:**

INPUT VOLTAGE: 12VDC TO 26VDC
 INPUT CONNECTION: CIGARETTE PLUG W/28 INCH LEAD

OUTPUT VOLTAGE: 48VDC @.8A MAX
 OUTPUT CONNECTION: 2.5mm RT ANGLE DC PLUG
 CENTER POSITIVE W/ 6 FOOT LEAD

MISCELLANEOUS:
 ALL PARTS SHALL BE PACKAGED AS PER
 L-COM SPEC PKG-00012

- ALL DIMENSIONS FOR REFERENCE ONLY -

RoHS Compliant ✓

UNLESS OTHERWISE SPECIFIED, DIMENSIONS ARE IN INCHES [mm] DIMENSIONAL TOLERANCES: .X = ±.1 .XX = ±.01 .XXX = ±.005 ANGULAR TOLERANCES: ALL = ± 1°	APPROVALS DRAWN BY B.PUCHASKI	DATE 08/30/12		45 BEECHWOOD DRIVE NORTH ANDOVER, MA 01845
	CHECKED BY M.MARTINEZ	DATE 08/30/12		CATEGORY POWER SUPPLY
	APPROVED BY M.MARTINEZ	DATE 08/30/12	PRODUCT DESCRIPTION DC/DC CONVERTER 12VDC TO 48VDC W/ 2.5mm RT ANGLE DC PLUG	
PROJECTION 	COLOR VARIATIONS MAY OCCUR	SIZE A	FSCM NO. 43321	DWG. NO. PC12480.8
		SCALE: NONE	CAD FILE: PC12480.8.SLDDRW	SHEET 1 OF 1