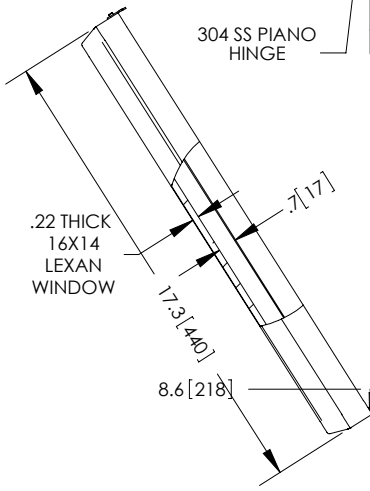
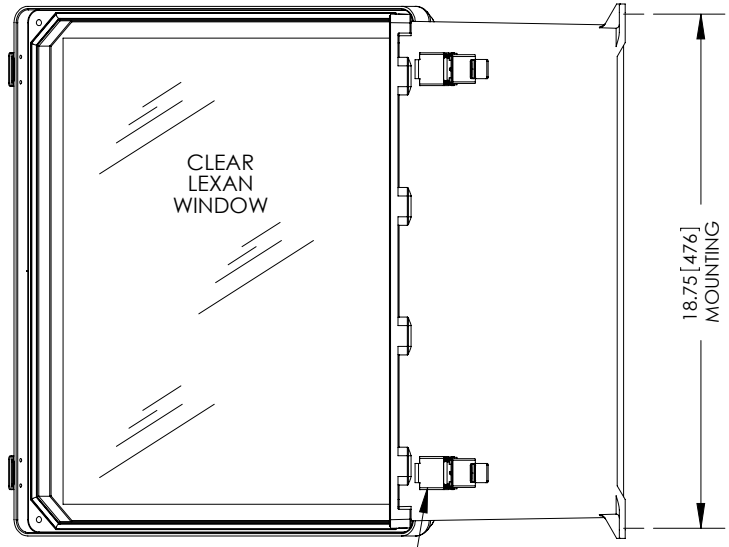
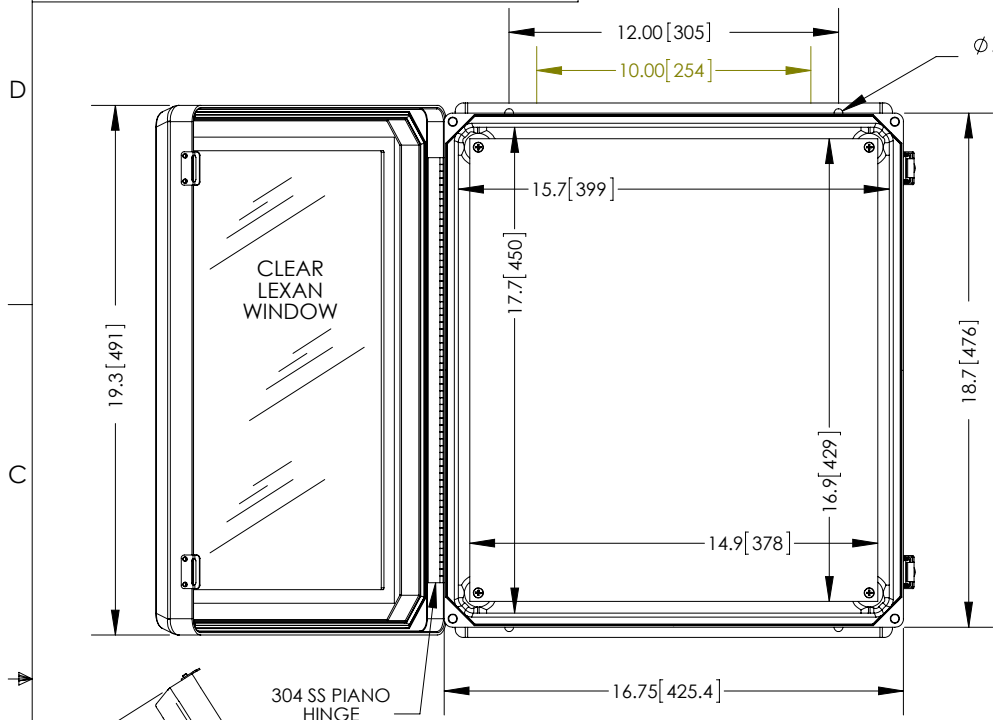


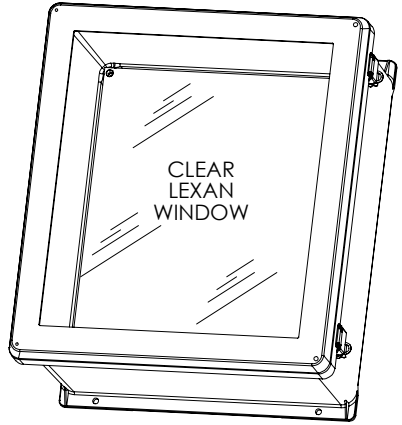
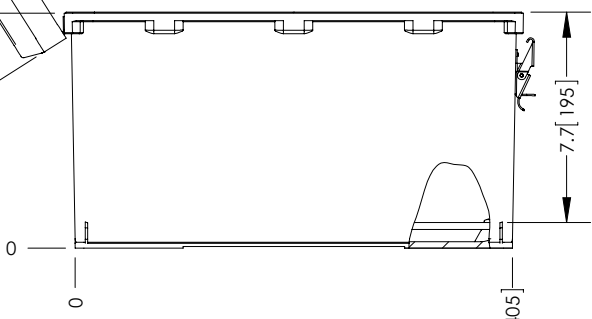
8 7 6 5 4 3 2 1

THE INFORMATION CONTAINED IN THIS DRAWING IS THE SOLE PROPERTY OF L-COM, INC. ANY REPRODUCTION IN PART OR WHOLE WITHOUT THE WRITTEN PERMISSION OF L-COM, INC. IS PROHIBITED.

REVISIONS			
REV	DESCRIPTION	DATE	APPROVED
1	PRELIMINARY	04/23/13	B.PUCHASKI
-	-	-	-
-	-	-	-



- NOTE:
- 1- ENCLOSURE MATERIAL-GRAY (RAL7035) HOT MOLDED FIBERGLASS REINFORCED POLYESTER
 - 2- NEMA RATED TYPE 3, 3R, 3S, 4, 4X, 12 AND 13 PRIOR TO MODIFICATIONS.
 - 3- IEC 529 RATED IP 66 PRIOR TO MODIFICATION.
 - 4- TEMPERATURE RANGE FROM -50 DEG C TO 150 DEG C.
 - 5- SELF EXTINGUISHING AND HALOGEN FREE.
 - 6- CABINETS ARE MAINTENANCE FREE AND CORROSION RESISTANT.
 - 7- SHALL BE PACKAGED AS PER L-COM SPEC PKG-00070



RoHS Compliant ✓

UNLESS OTHERWISE SPECIFIED, DIMENSIONS ARE IN INCHES [mm]	APPROVALS	DATE		45 BEECHWOOD DRIVE NORTH ANDOVER, MA 01845
	DRAWN BY B.PUCHASKI	04/23/13		
DIMENSIONAL TOLERANCES: .X = ±.1 .XX = ±.01 .XXX = ±.005	CHECKED BY P.PESA	04/23/13	CATEGORY	
	APPROVED BY P.PESA	04/23/13	ENCLOSURE	
ANGULAR TOLERANCES: ALL = ± 1°	CONFIGURATION DETAILS OF UNDIMENSIONED FEATURES MAY VARY		PRODUCT DESCRIPTION	
PROJECTION	COLOR VARIATIONS MAY OCCUR	SIZE A	FSCM NO. 43321	DWG. NO. NBW181608-KIT01
		SCALE: NONE	CAD FILE: NBW181608-KIT01.SLDDRW	SHEET 1 OF 1