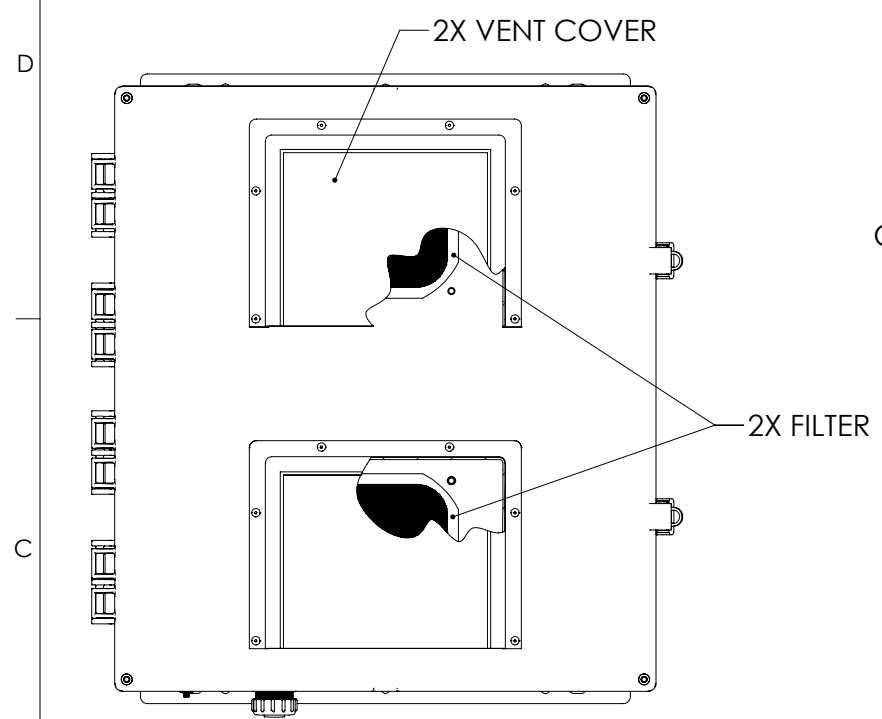
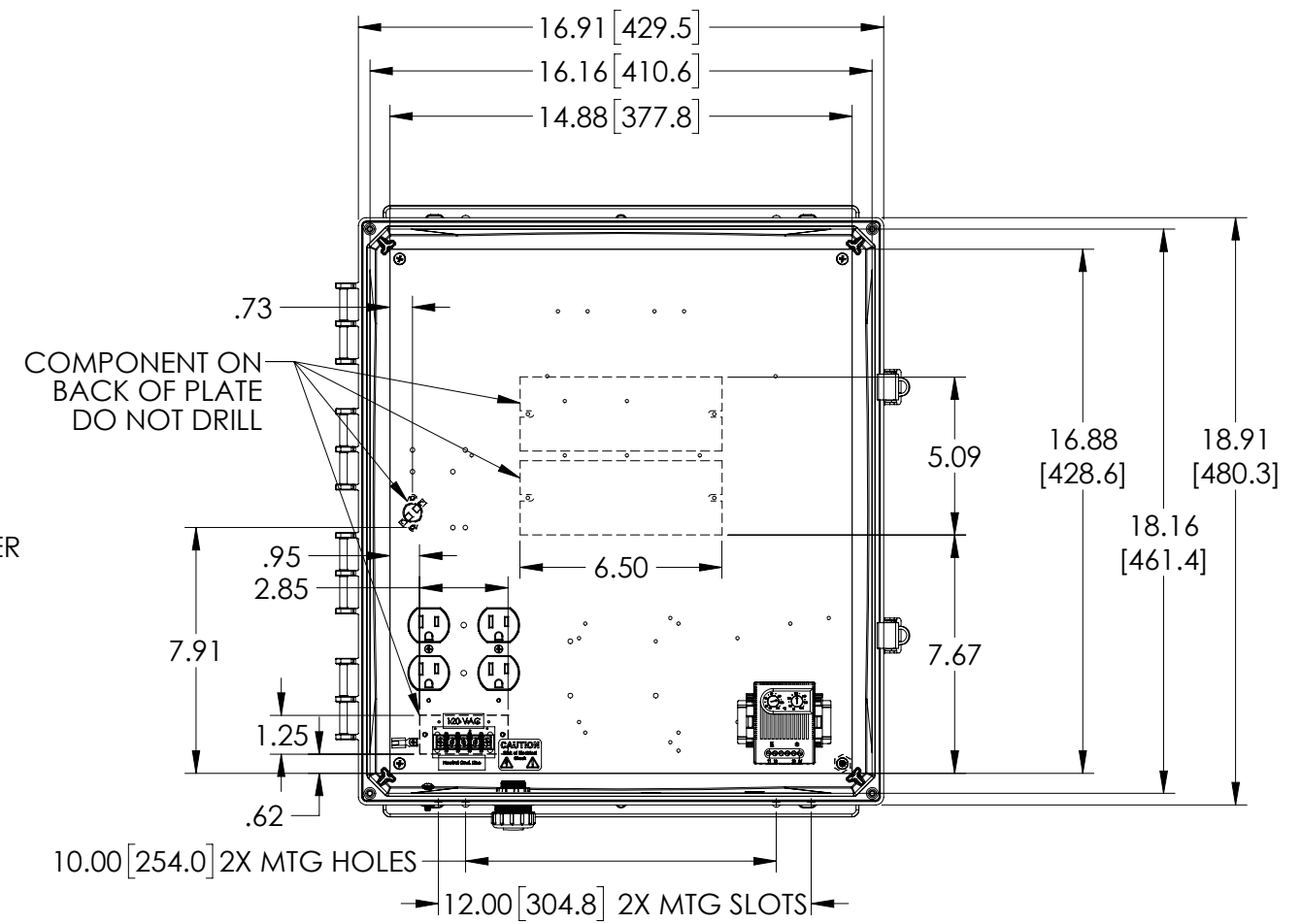


THE INFORMATION CONTAINED IN THIS DRAWING IS THE SOLE PROPERTY OF L-COM, INC. ANY REPRODUCTIONS IN PART OR WHOLE WITHOUT THE WRITTEN PERMISSION OF L-COM, INC. IS PROHIBITED.

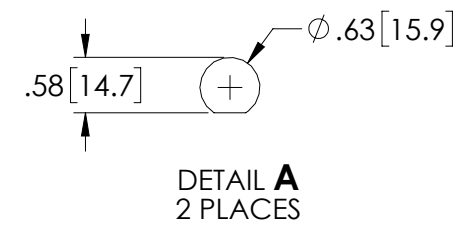
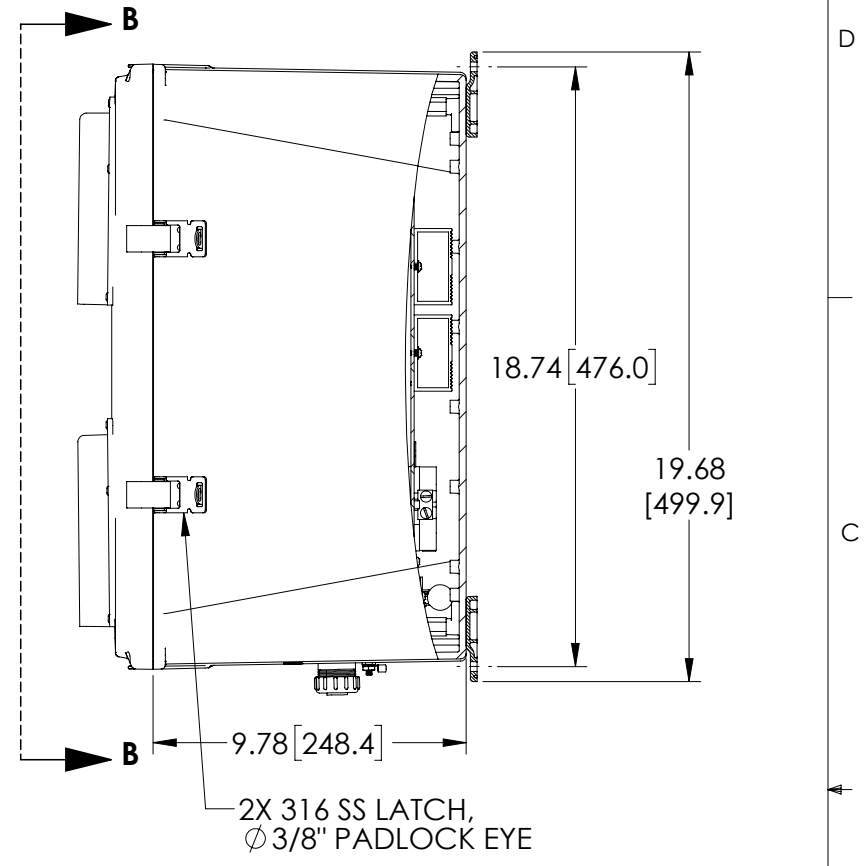
REVISIONS			
REV	DESCRIPTION	DATE	CHANGED BY
A	INITIAL RELEASE	05/21/2019	MMARTINEZ



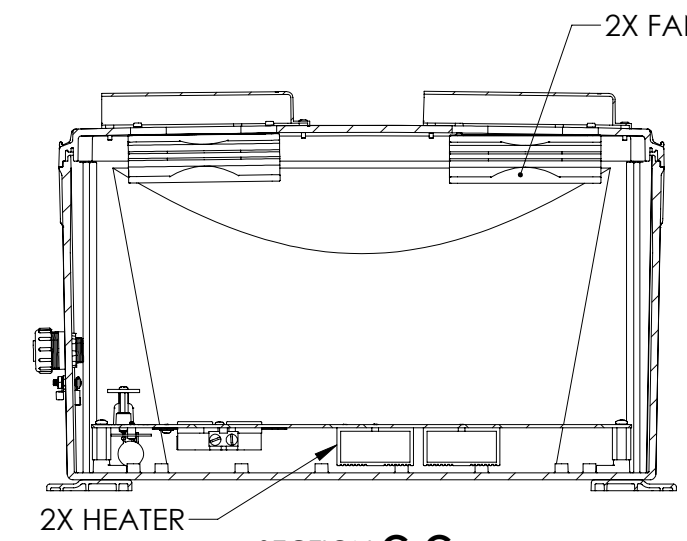
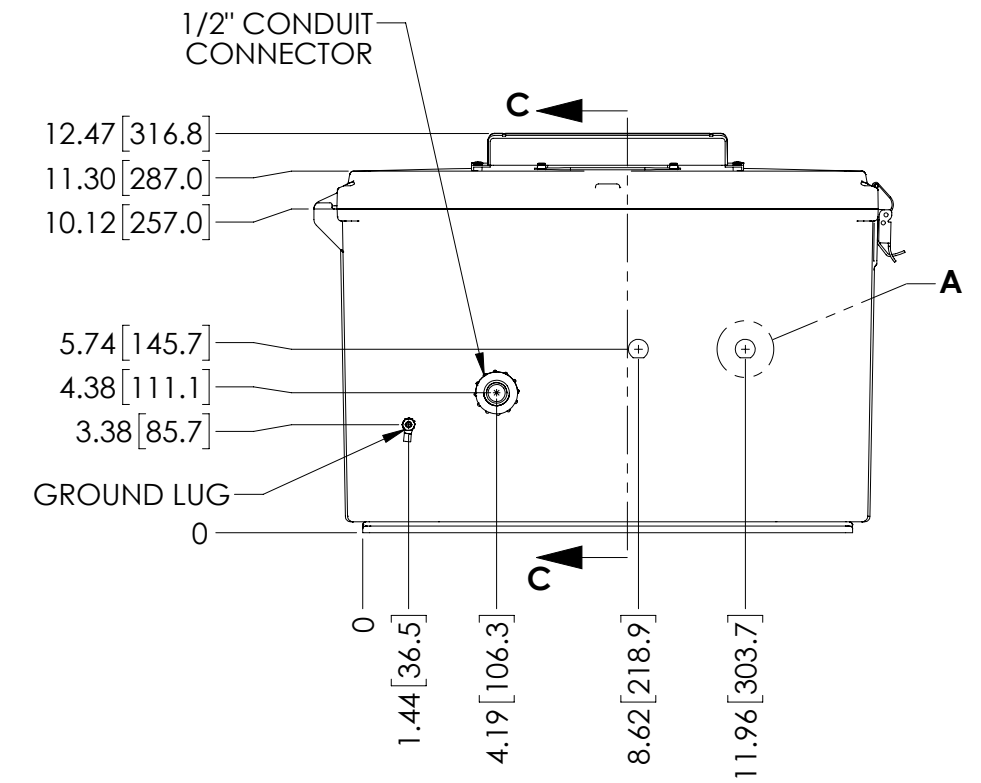
VIEW B-B



LID NOT SHOWN IN THIS VIEW FOR CLARITY



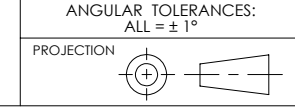
DETAIL A
2 PLACES



SECTION C-C

- NOTES:
- ENCLOSURE MATERIAL-LIGHT GRAY (PANTONE 422C) HIGH-IMPACT, UV RESISTANT POLYCARBONATE.
 - TEMPERATURE RANGE: -40°F TO 265°F
 - CABINETS ARE MAINTENANCE FREE AND CORROSION RESISTANT.
 - SHALL BE PACKAGED AS PER L-COM SPEC
 - ALL DIMENSIONS FOR REFERENCE ONLY.
 - WALL MOUNT BRACKETS COME UNINSTALLED, INSIDE ENCLOSURE, BAGGED WITH HARDWARE.

UNLESS OTHERWISE SPECIFIED, DIMENSIONS ARE IN INCHES [mm]
DIMENSIONAL TOLERANCES:
.X = ±.1 [2.54]
.XX = ±.01 [.25]
.XXX = ±.005 [.13]
ANGULAR TOLERANCES:
ALL = ± 1°



APPROVALS	DATE
DZINN	05/21/2019
DFRISIELLO	05/21/2019
MMARTINEZ	05/21/2019

L-com Global Connectivity
50 HIGH STREET
NORTH ANDOVER, MA
01845

CATEGORY: ENCLOSURE
PRODUCT DESCRIPTION: ENCL PC 18x16x10" w/ADJ 2-Fan & Heat 120VAC MT PLT

SIZE	FSCM NO.	DWG. NO.	REV.
B	43321	NBPC181610-1HFA2	A

SCALE: 1:6 CAD FILE: NBPC181610-1HFA2.SLDDRW SHEET 1 OF 1