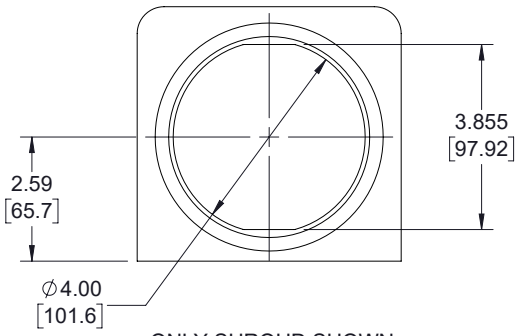
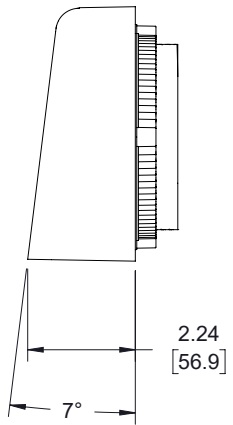
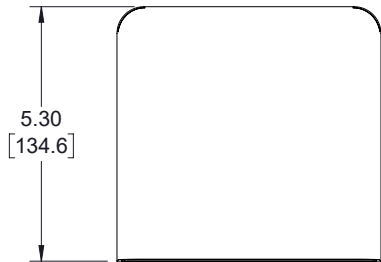
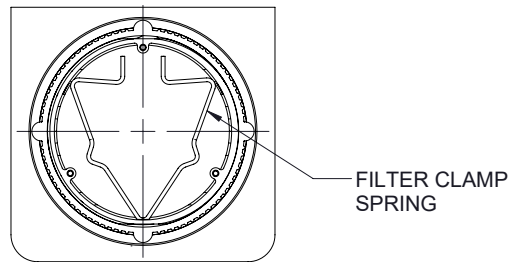
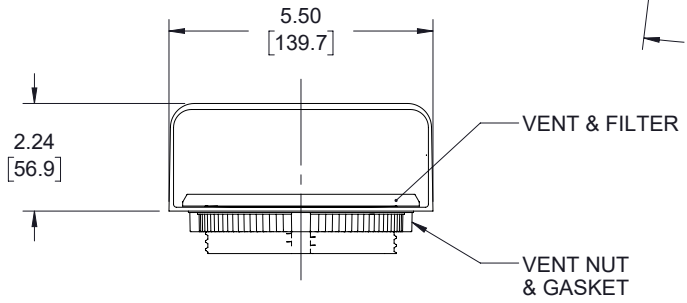


THE INFORMATION CONTAINED IN THIS DRAWING IS THE SOLE PROPERTY OF L-COM, INC. ANY REPRODUCTION IN PART OR WHOLE WITHOUT THE WRITTEN PERMISSION OF L-COM, INC. IS PROHIBITED.

REVISIONS			
REV	DESCRIPTION	DATE	APPROVED
A	INITIAL RELEASE	11/06/19	MMARTINEZ
B	ECN 10369: ADDED "ALL DIMENSIONS FOR REFERENCE ONLY"	02/13/20	MMARTINEZ



ONLY SHROUD SHOWN


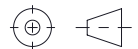


FILTER CLAMP SPRING

**KIT CONTAINS 2:  
SHROUD, VENT, FILTER, GASKET, & VENT NUT**

**ALL DIMENSIONS FOR REFERENCE ONLY**

**SHROUD MATERIAL:  
POLYCARBONATE (DARK GRAY)**

UNLESS OTHERWISE SPECIFIED, DIMENSIONS ARE IN INCHES [mm]  DIMENSIONAL TOLERANCES: .X = ± .1 [2.54]      FRACTIONS ± 1/32 .XX = ± .01 [25]      ANGLES ± 1° .XXX = ± .005 [13]	APPROVALS	DATE	 an INFINITO brand	50 High Street, West Mill, North Andover, MA 01845 USA. Phone: 1.800.341.5266 1.978.682.6936
	DRAWN BY DZINN	11/06/19		
	CHECKED BY DFRISIELLO	11/06/19	CATEGORY	ENCLOSURE
	APPROVED BY MMARTINEZ	11/06/19	PRODUCT DESCRIPTION	Fan Shroud Vent Filter Kit Gray - two pcs
THIRD-ANGLE PROJECTION	COLOR VARIATIONS MAY OCCUR	SIZE <b>A</b>	CAGE CODE <b>43321</b>	DWG. NO. NBPC-FV2
		SCALE: NONE	CAD FILE: NBPC-FV2.SLDDRW	REV. <b>B</b>
			SHEET 1 OF 1	