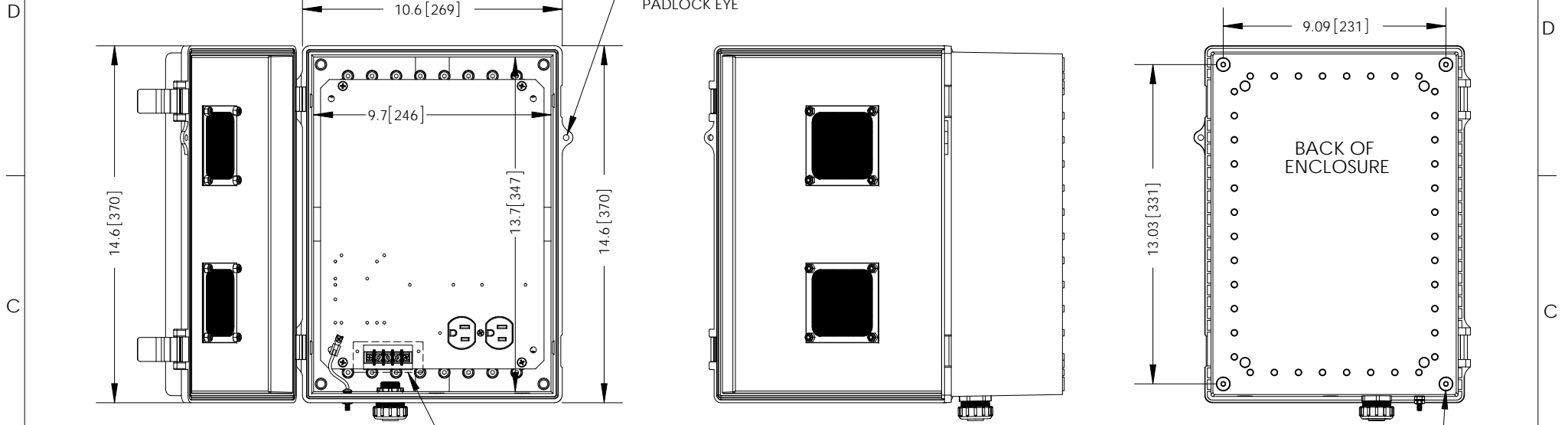


THE INFORMATION CONTAINED IN THIS DRAWING IS THE SOLE PROPERTY OF L-COM, INC. ANY REPRODUCTION IN PART OR WHOLE WITHOUT THE WRITTEN PERMISSION OF L-COM, INC. IS PROHIBITED.

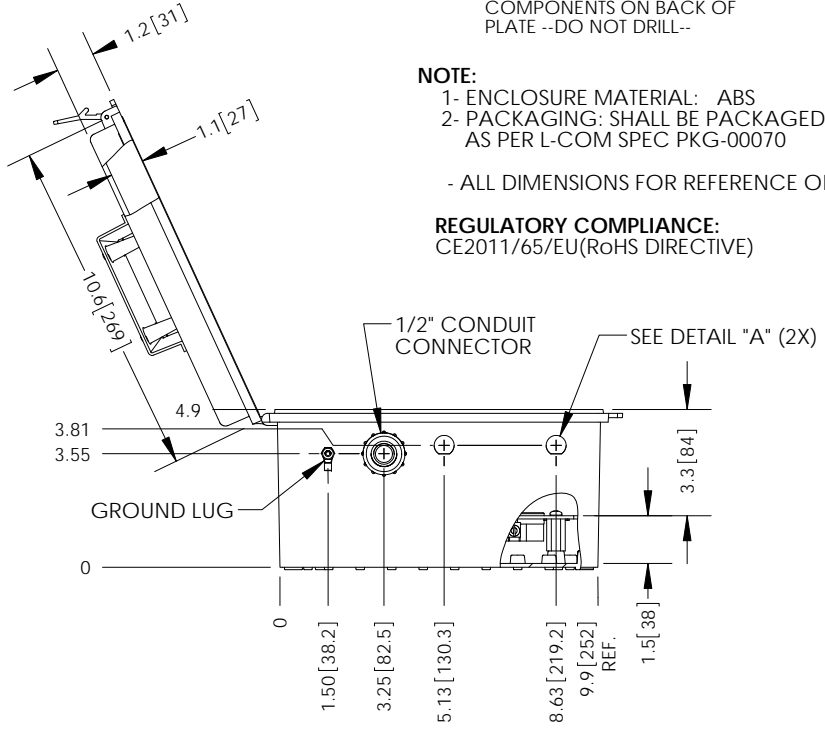
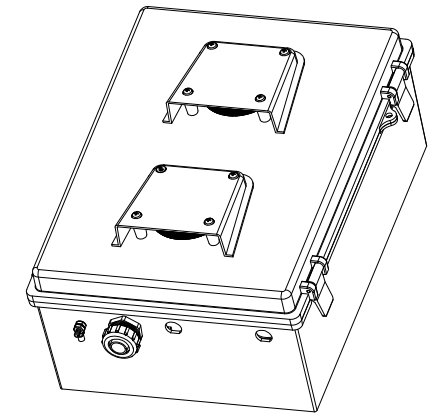
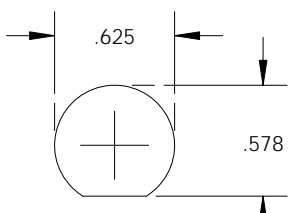
REVISIONS			
REV	DESCRIPTION	DATE	APPROVED
A	INITIAL RELEASE	02/18/14	B.PUCHASKI
-	-	-	-
-	-	-	-



HIDDEN LINES REPRESENT COMPONENTS ON BACK OF PLATE --DO NOT DRILL--

NOTE:
 1- ENCLOSURE MATERIAL: ABS
 2- PACKAGING: SHALL BE PACKAGED AS PER L-COM SPEC PKG-00070
 - ALL DIMENSIONS FOR REFERENCE ONLY -

REGULATORY COMPLIANCE:
 CE2011/65/EU(RoHS DIRECTIVE)



UNLESS OTHERWISE SPECIFIED, DIMENSIONS ARE IN INCHES [mm] DIMENSIONAL TOLERANCES: .X = ±.1 [2.54] .XX = ±.01 [.25] .XXX = ±.005 [.13] ANGULAR TOLERANCES: ALL = ± 1°	APPROVALS	DATE	 45 BEECHWOOD DRIVE NORTH ANDOVER, MA 01845
	DRAWN BY B.PUCHASKI	02/18/14	
	CHECKED BY P.PESA	02/18/14	
	APPROVED BY P.PESA	02/18/14	
PROJECTION	CONFIGURATION DETAILS OF UNDIMENSIONED FEATURES MAY VARY		CATEGORY ENCLOSURE
	COLOR VARIATIONS MAY OCCUR		PRODUCT DESCRIPTION NEMA ENCLOSURE 14 X 10 X 6 WEATHERPROOF 120VAC VENTED
	SIZE A	FSCM NO. 43321	DWG. NO. NBE141006-10V
	SCALE: NONE	CAD FILE: NBE141006-10V.SLDDRW	SHEET 1 OF 1