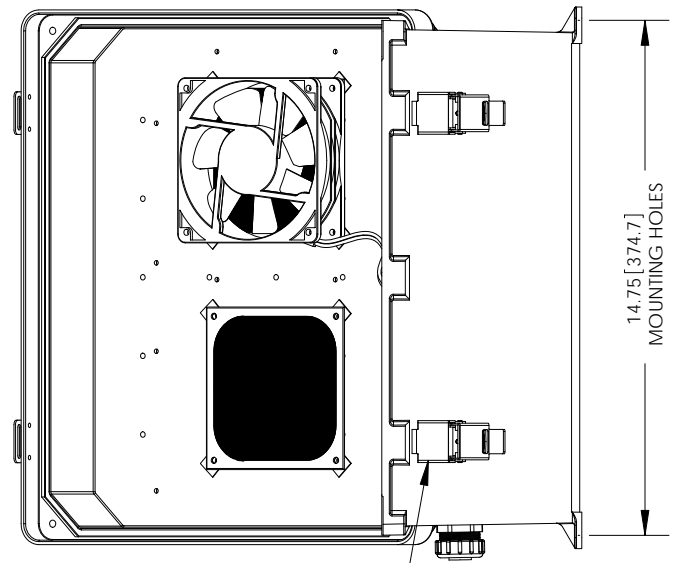
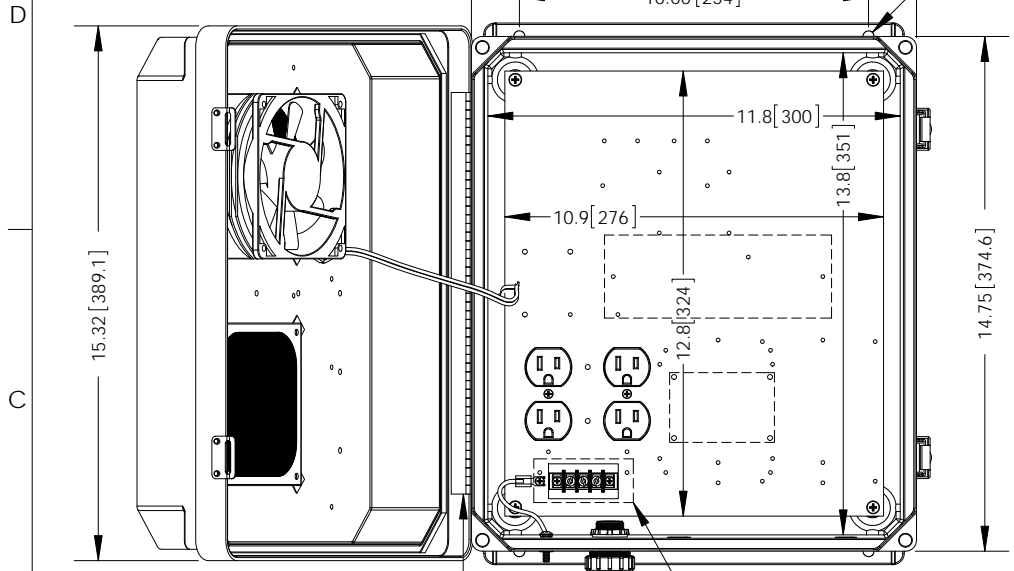


THE INFORMATION CONTAINED IN THIS DRAWING IS THE SOLE PROPERTY OF L-COM, INC. ANY REPRODUCTION IN PART OR WHOLE WITHOUT THE WRITTEN PERMISSION OF L-COM, INC. IS PROHIBITED.

REVISIONS			
REV	DESCRIPTION	DATE	APPROVED
A	INITIAL RELEASE	9/22/15	D.GRIFFIN



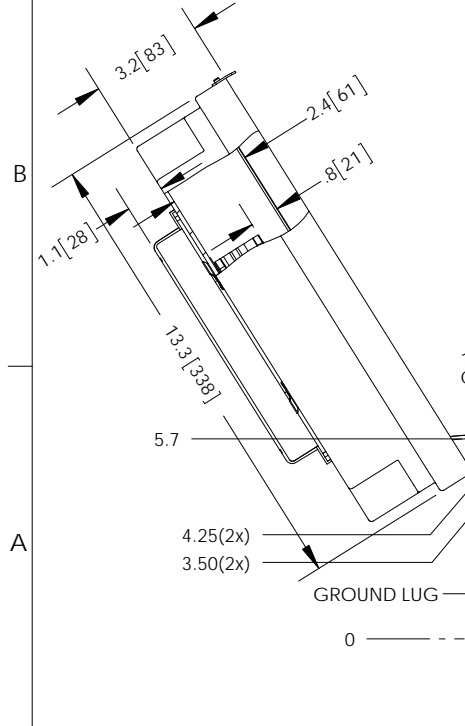
304 SS PIANO HINGE

HIDDEN LINES REPRESENT COMPONENTS ON BACK OF PLATE --DO NOT DRILL--

316 SS PADLOCKABLE LATCHES  
Ø.375 PADLOCK EYE

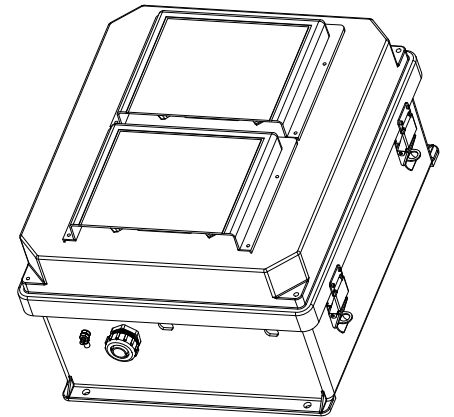
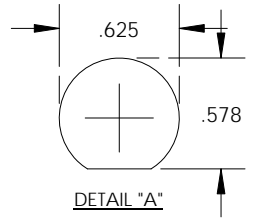
- NOTE:**
- ENCLOSURE MATERIAL-BLACK HOT MOLDED FIBERGLASS REINFORCED POLYESTER
  - NEMA RATED TYPE 3, 3R, 3S, 4, 4X, 12 AND 13 PRIOR TO MODIFICATIONS.
  - ICE 529 RATED IP 66 PRIOR TO MODIFICATION.
  - TEMPERATURE RANGE FROM -50 DEG C TO 150 DEG C.
  - SELF EXTINGUISHING AND HALOGEN FREE.
  - CABINETS ARE MAINTENANCE FREE AND CORROSION RESISTANT.
  - SHALL BE PACKAGED AS PER L-COM SPEC PKG-00070
  - ALL DIMENSIONS FOR REFERENCE ONLY.

**REGULATORY COMPLIANCE:**  
CE2011/65/EU(RoHS DIRECTIVE)



1/2" CONDUIT CONNECTOR  
SEE DETAIL "A" (2X)

GROUND LUG



UNLESS OTHERWISE SPECIFIED, DIMENSIONS ARE IN INCHES [mm]	APPROVALS	DATE		45 BEECHWOOD DRIVE NORTH ANDOVER, MA 01845		
	DRAWN BY B.PUCHASKI	09/01/15				
DIMENSIONAL TOLERANCES: .X = ±.1 [2.54] .XX = ±.01 [25] .XXX = ±.005 [13]	CHECKED BY P.PESA	09/01/15	CATEGORY ENCLOSURE			
	APPROVED BY P.PESA	09/01/15	PRODUCT DESCRIPTION NEMA ENCLOSURE 14 X 12 X 7 WEATHERPROOF 120VAC W/HEATER, FAN, SOLID STATE, BLACK			
ANGULAR TOLERANCES: ALL = ± 1°	CONFIGURATION DETAILS OF UNDIMENSIONED FEATURES MAY VARY		SIZE <b>A</b>	FSCM NO. <b>43321</b>	DWG. NO. <b>NBB141207-1HFS</b>	REV. <b>A</b>
PROJECTION 	COLOR VARIATIONS MAY OCCUR		SCALE: NONE	CAD FILE: NBB141207-1HFS.SLDDRW	SHEET 1 OF 1	