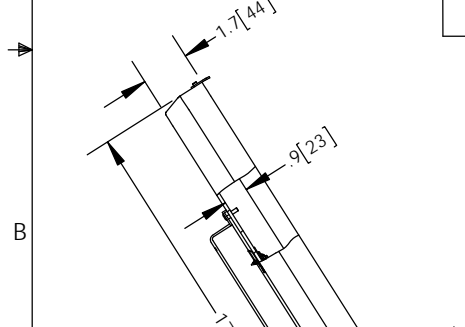
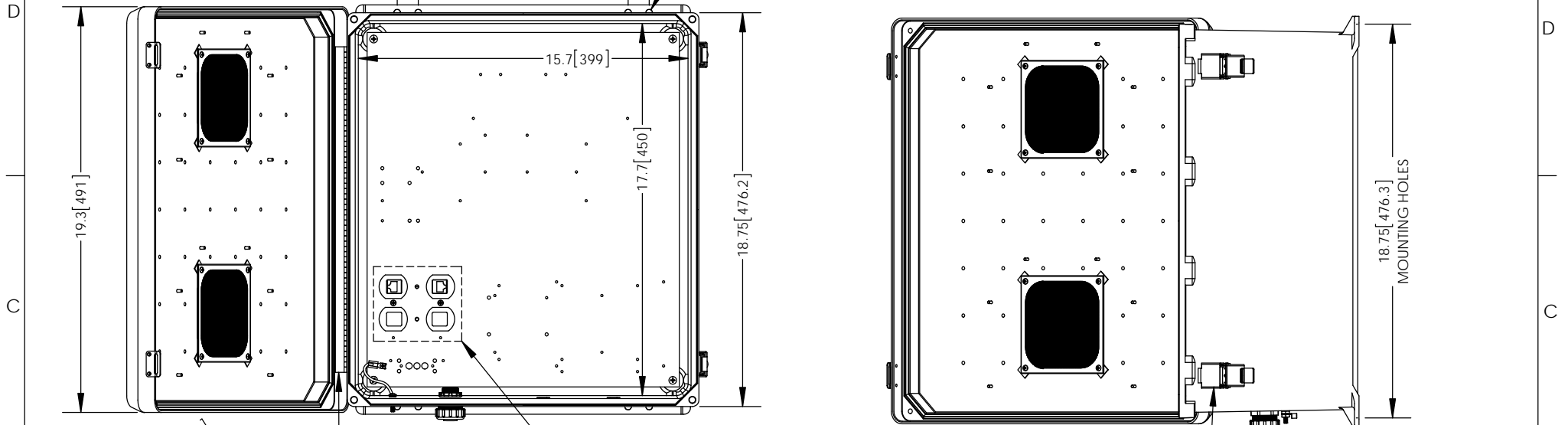


THE INFORMATION CONTAINED IN THIS DRAWING IS THE SOLE PROPERTY OF L-COM, INC. ANY REPRODUCTION IN PART OR WHOLE WITHOUT THE WRITTEN PERMISSION OF L-COM, INC. IS PROHIBITED.

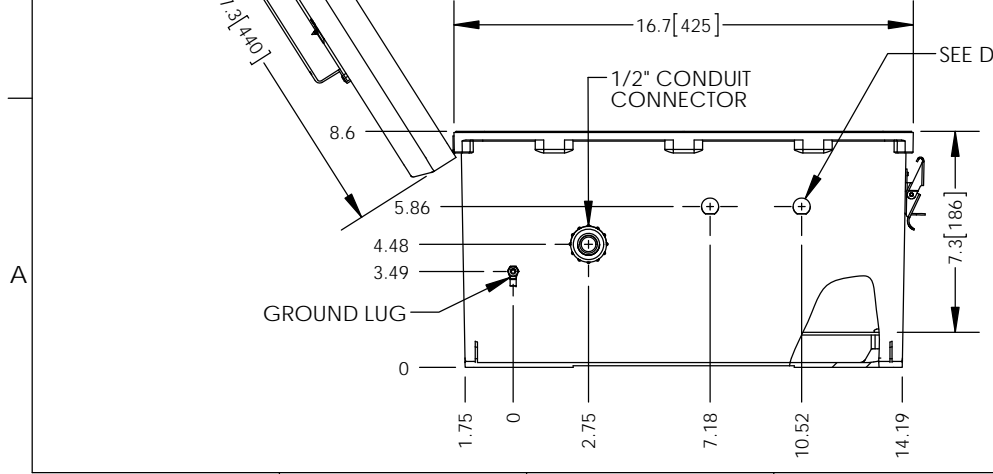
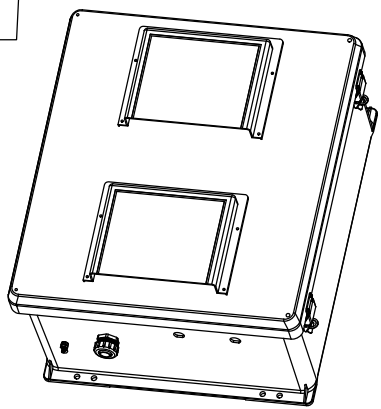
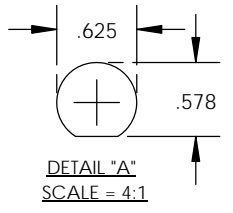
REVISIONS			
REV	DESCRIPTION	DATE	APPROVED
A	INITIAL RELEASE	06/18/13	B.PUCHASKI
-	-	-	-
-	-	-	-



NOTE:
 1- ENCLOSURE MATERIAL-GRAY (RAL7035) HOT MOLDED FIBERGLASS REINFORCED POLYESTER
 2- SELF EXTINGUISHING AND HALOGEN FREE.
 3- CABINETS ARE MAINTENANCE FREE AND CORROSION RESISTANT.
 4- SHALL BE PACKAGED AS PER L-COM SPEC PKG-00070
 5- ALL DIMENSIONS FOR REFERENCE ONLY.

REGULATORY COMPLIANCE:
 RoHS, CE

HIDDEN LINES REPRESENT COMPONENTS ON BACK OF PLATE -DO NOT DRILL-



UNLESS OTHERWISE SPECIFIED, DIMENSIONS ARE IN INCHES [mm] DIMENSIONAL TOLERANCES: .X = ±.1 .XX = ±.01 .XXX = ±.005 ANGULAR TOLERANCES: ALL = ± 1° PROJECTION	APPROVALS	DATE		45 BEECHWOOD DRIVE NORTH ANDOVER, MA 01845	
	DRAWN BY B.PUCHASKI	06/18/13			
	CHECKED BY P.PESA	06/18/13	CATEGORY	ENCLOSURES	
	APPROVED BY P.PESA	06/18/13	PRODUCT DESCRIPTION	NEMA ENCLOSURE 18 X 16 X 8 WEATHERPROOF POE 48VDC VENTED	
	CONFIGURATION DETAILS OF UNDIMENSIONED FEATURES MAY VARY	SIZE A	FSCM NO. 43321	DWG. NO. NB181608-40V	REV. A
	COLOR VARIATIONS MAY OCCUR	SCALE: NONE	CAD FILE: NB181608-40V.SLDRW	SHEET 1 OF 1	