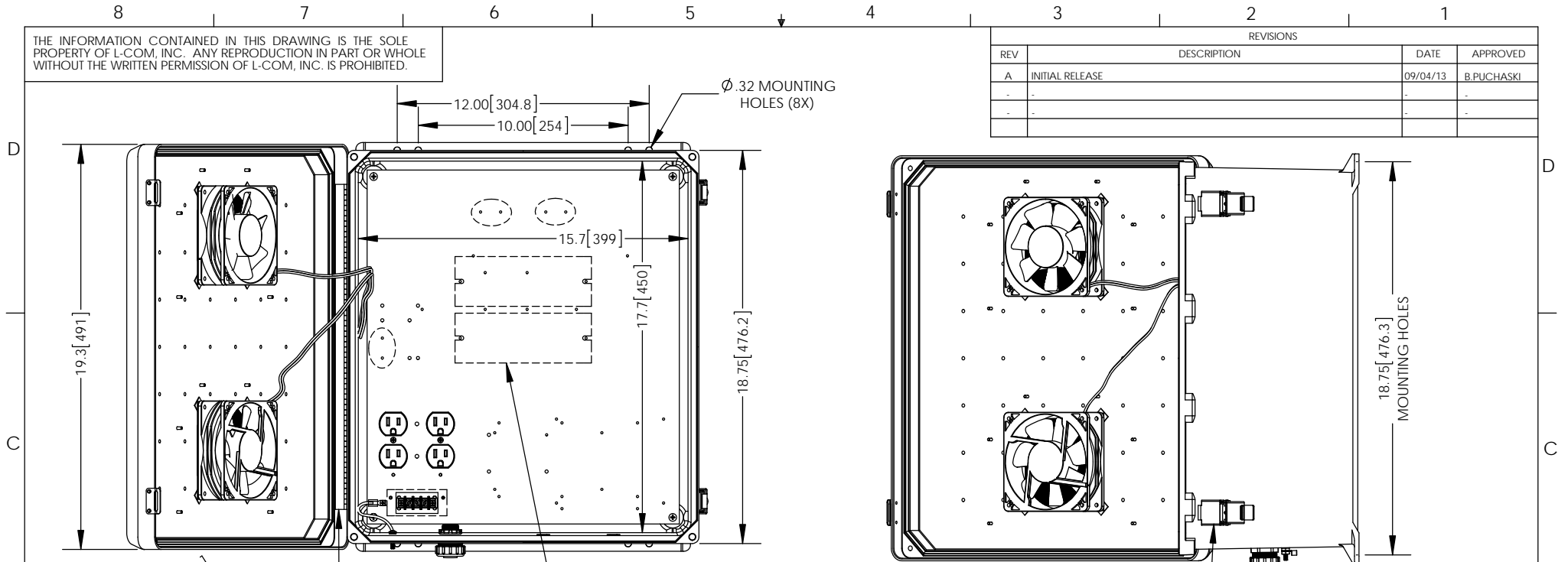


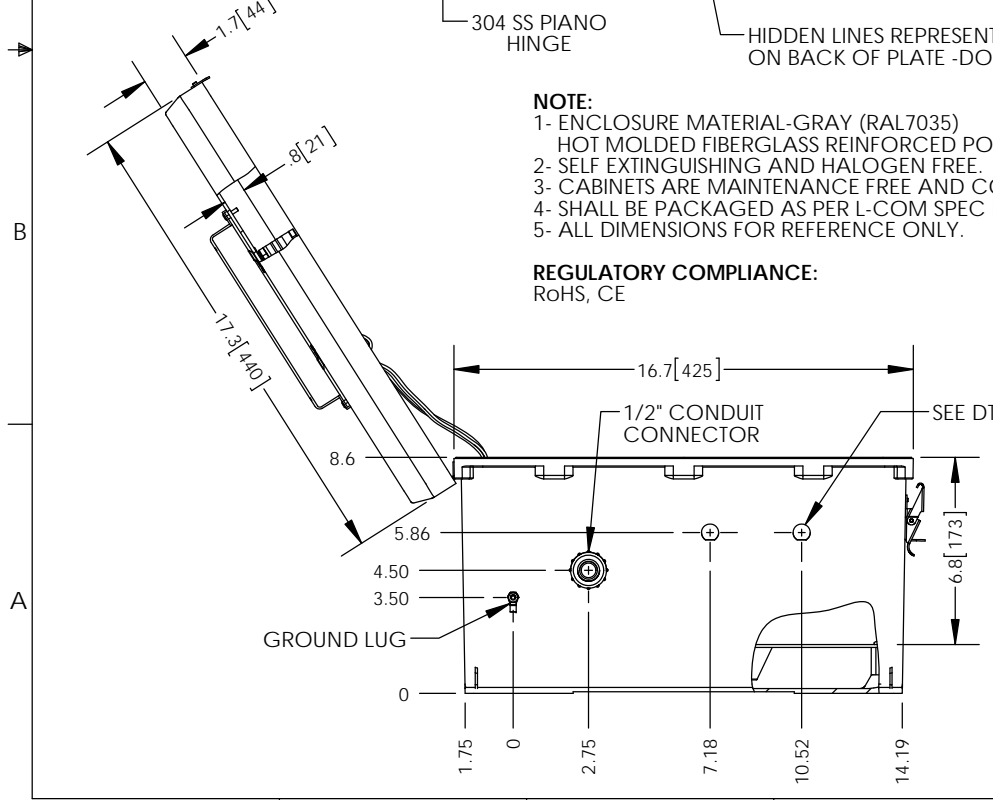
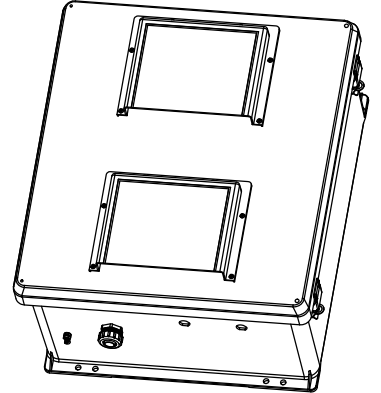
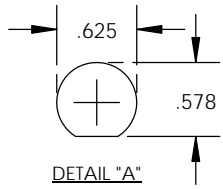
THE INFORMATION CONTAINED IN THIS DRAWING IS THE SOLE PROPERTY OF L-COM, INC. ANY REPRODUCTION IN PART OR WHOLE WITHOUT THE WRITTEN PERMISSION OF L-COM, INC. IS PROHIBITED.

REVISIONS			
REV	DESCRIPTION	DATE	APPROVED
A	INITIAL RELEASE	09/04/13	B.PUCHASKI
-	-	-	-
-	-	-	-



- NOTE:**
- ENCLOSURE MATERIAL-GRAY (RAL7035) HOT MOLDED FIBERGLASS REINFORCED POLYESTER
 - SELF EXTINGUISHING AND HALOGEN FREE.
 - CABINETS ARE MAINTENANCE FREE AND CORROSION RESISTANT.
 - SHALL BE PACKAGED AS PER L-COM SPEC PKG-00070
 - ALL DIMENSIONS FOR REFERENCE ONLY.

REGULATORY COMPLIANCE:
RoHS, CE



UNLESS OTHERWISE SPECIFIED, DIMENSIONS ARE IN INCHES [mm] DIMENSIONAL TOLERANCES: .X = ±.1 [2.54] .XX = ±.01 [2.5] .XXX = ±.005 [1.3]	APPROVALS DRAWN BY B.PUCHASKI	DATE 09/04/13		45 BEECHWOOD DRIVE NORTH ANDOVER, MA 01845	
	CHECKED BY P.PESA	09/04/13		CATEGORY ENCLOSURE	
	ANGULAR TOLERANCES: ALL = ± 1°	APPROVED BY P.PESA	09/04/13	PRODUCT DESCRIPTION NEMA ENCLOSURE 18 X 16 X 8 WEATHERPROOF 120VAC W/FAN 85°, HEATER	
	PROJECTION 	CONFIGURATION DETAILS OF UNDIMENSIONED FEATURES MAY VARY COLOR VARIATIONS MAY OCCUR	SIZE A	FSCM NO. 43321	DWG. NO. NB181608-1HF-1

SCALE: NONE | CAD FILE: NB181608-1HF-1.SLDDRW | SHEET 1 OF 1