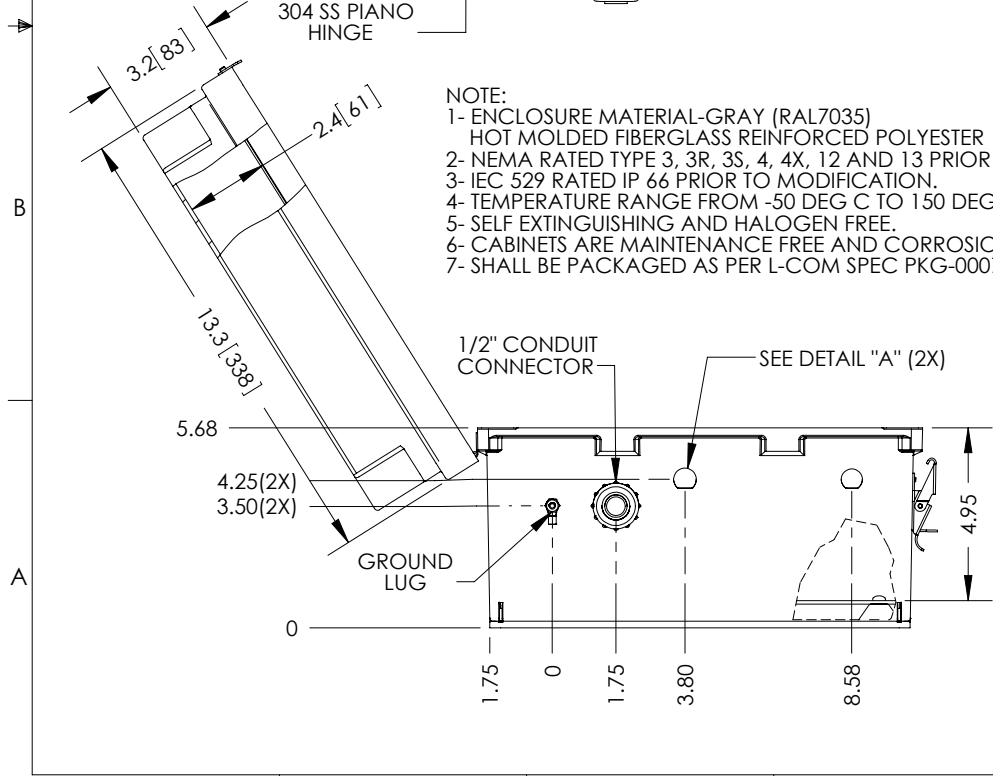
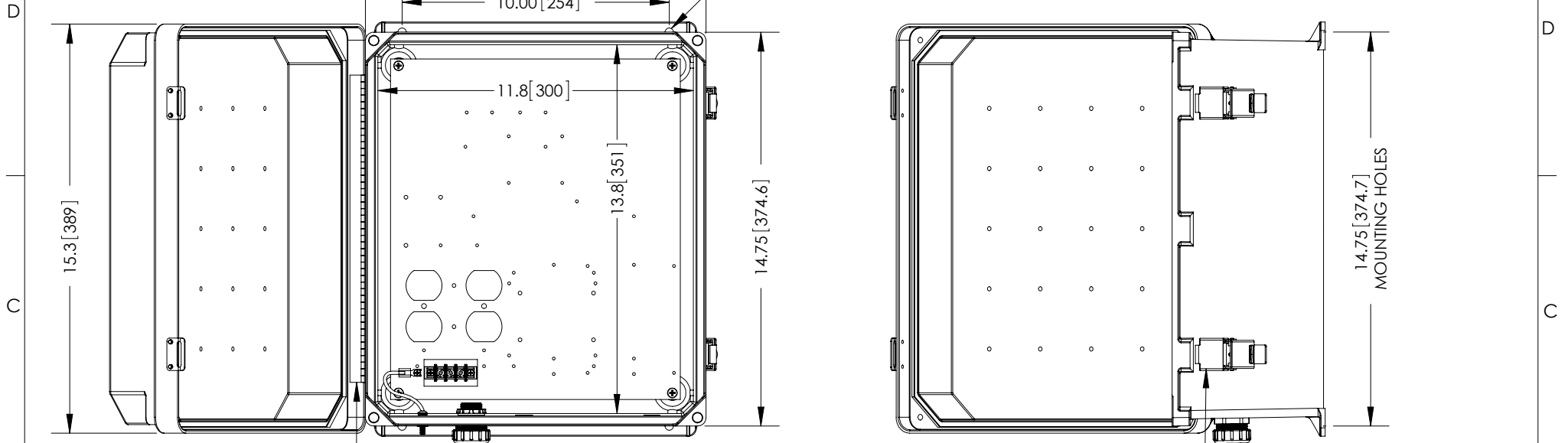
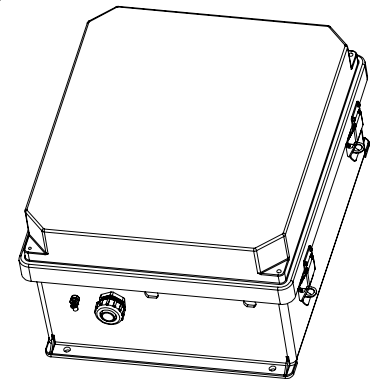
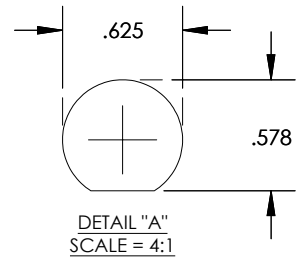


THE INFORMATION CONTAINED IN THIS DRAWING IS THE SOLE PROPERTY OF L-COM, INC. ANY REPRODUCTION IN PART OR WHOLE WITHOUT THE WRITTEN PERMISSION OF L-COM, INC. IS PROHIBITED.

REVISIONS			
REV	DESCRIPTION	DATE	APPROVED
A	INITIAL RELEASE	4/16/13	D.GRIFFIN
-	-	-	-
-	-	-	-



- NOTE:
- ENCLOSURE MATERIAL-GRAY (RAL7035)  
HOT MOLDED FIBERGLASS REINFORCED POLYESTER
  - NEMA RATED TYPE 3, 3R, 3S, 4, 4X, 12 AND 13 PRIOR TO MODIFICATIONS.
  - IEC 529 RATED IP 66 PRIOR TO MODIFICATION.
  - TEMPERATURE RANGE FROM -50 DEG C TO 150 DEG C.
  - SELF EXTINGUISHING AND HALOGEN FREE.
  - CABINETS ARE MAINTENANCE FREE AND CORROSION RESISTANT.
  - SHALL BE PACKAGED AS PER L-COM SPEC PKG-00070



**RoHS Compliant** ✓

UNLESS OTHERWISE SPECIFIED, DIMENSIONS ARE IN INCHES [mm]  DIMENSIONAL TOLERANCES: .X = ±.1 .XX = ±.01 .XXX = ±.005  ANGULAR TOLERANCES: ALL = ± 1°  PROJECTION 	APPROVALS DRAWN BY B.PUCHASKI CHECKED BY P.PESA APPROVED BY P.PESA	DATE 4/16/13 4/16/13 4/16/13	Global Connectivity 45 BEECHWOOD DRIVE NORTH ANDOVER, MA 01845			
	CATEGORY <b>ENCLOSURE</b>			PRODUCT DESCRIPTION <b>NEMA ENCLOSURE 14 X 12 X 7 WEATHERPROOF 12VDC</b>		
	CONFIGURATION DETAILS OF UNDIMENSIONED FEATURES MAY VARY		SIZE <b>A</b>		FSCM NO. <b>43321</b>	DWG. NO. <b>NB141207-500</b>
	COLOR VARIATIONS MAY OCCUR		SCALE: NONE	CAD FILE: NB141207-500.SLDDRW	SHEET 1 OF 1	