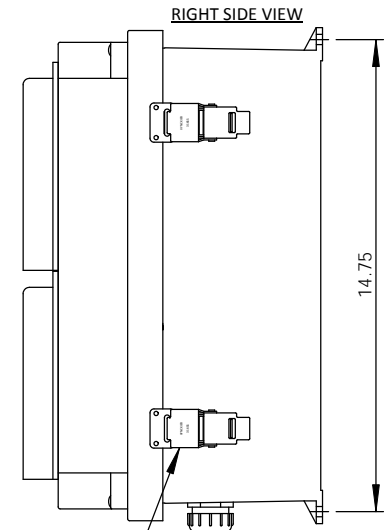
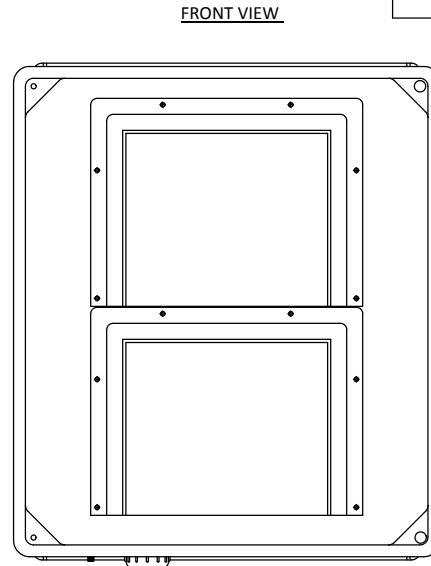
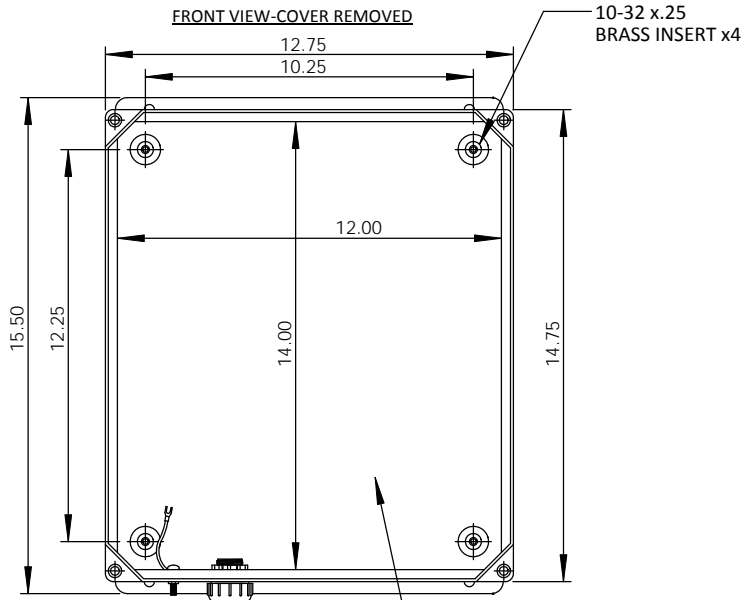


THE INFORMATION CONTAINED IN THIS DRAWING IS THE SOLE PROPERTY OF L-COM, INC. ANY REPRODUCTION IN PART OR WHOLE WITHOUT THE WRITTEN PERMISSION OF L-COM, INC. IS PROHIBITED.

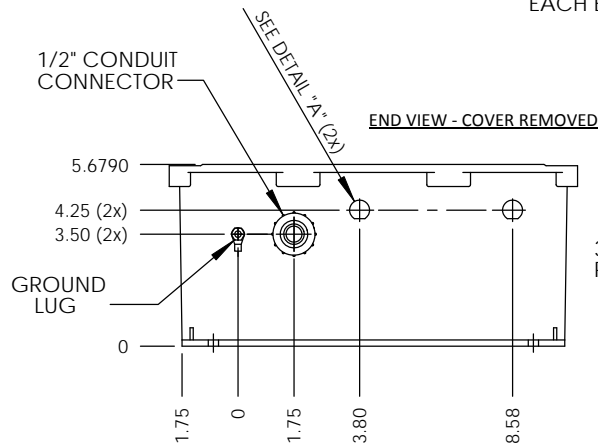
| REVISIONS | | | |
|-----------|-----------------|----------|------------|
| REV | DESCRIPTION | DATE | APPROVED |
| A | Initial Release | 08/24/10 | B.Puchaski |
| - | - | - | - |
| - | - | - | - |

D
C
B
A



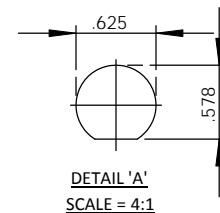
END VIEW

316 STAINLESS STEEL PADLOCKABLE LATCHES
Ø.375 PADLOCK EYE



304 STAINLESS STEEL PIANO HINGE

Ø.32 MOUNTING HOLES (4X)



- NOTE:
- ENCLOSURE MATERIAL-GRAY (RAL7035) HOT MOLDED FIBERGLASS REINFORCED POLYESTER
 - NEMA RATED TYPE 3, 3R, 3S, 4, 4X, 12 AND 13 PRIOR TO MODIFICATIONS.
 - IEC 529 RATED IP 66 PRIOR TO MODIFICATION.
 - TEMPERATURE RANGE FROM -50 DEG C TO 150 DEG C.
 - SELF EXTINGUISHING AND HALOGEN FREE.
 - CABINETS ARE MAINTENANCE FREE AND CORROSION RESISTANT.
 - SHALL BE PACKAGED AS PER L-COM SPEC PKG-00070

| | | | | | |
|---|--|------------------|-------------------------------|---|------------------|
| UNLESS OTHERWISE SPECIFIED, DIMENSIONS ARE IN INCHES [mm] DIMENSIONAL TOLERANCES: .X = ±.1 .XX = ±.01 .XXX = ±.005 ANGULAR TOLERANCES: ALL = ± 1° PROJECTION | APPROVALS | DATE | | 45 BEECHWOOD DRIVE NORTH ANDOVER, MA 01845 | |
| | DRAWN BY B.Puchaski | 08/24/10 | | | |
| | CHECKED BY K.Blomgren | 08/24/10 | CATEGORY | ENCLOSURE | |
| | APPROVED BY K.Blomgren | 08/24/10 | PRODUCT DESCRIPTION | NEMA 3R 14 x 12 x 7 Weatherproof Vented Enclosure Only | |
| | CONFIGURATION DETAILS OF UNDIMENSIONED FEATURES MAY VARY | SIZE A | FSCM NO. 43321 | DWG. NO. NB141207-03V | REV. A |
| | COLOR VARIATIONS MAY OCCUR | SCALE: NONE | CAD FILE: NB141207-03V.SLDDRW | SHEET 1 OF 1 | |

8 7 6 5 4 3 2 1