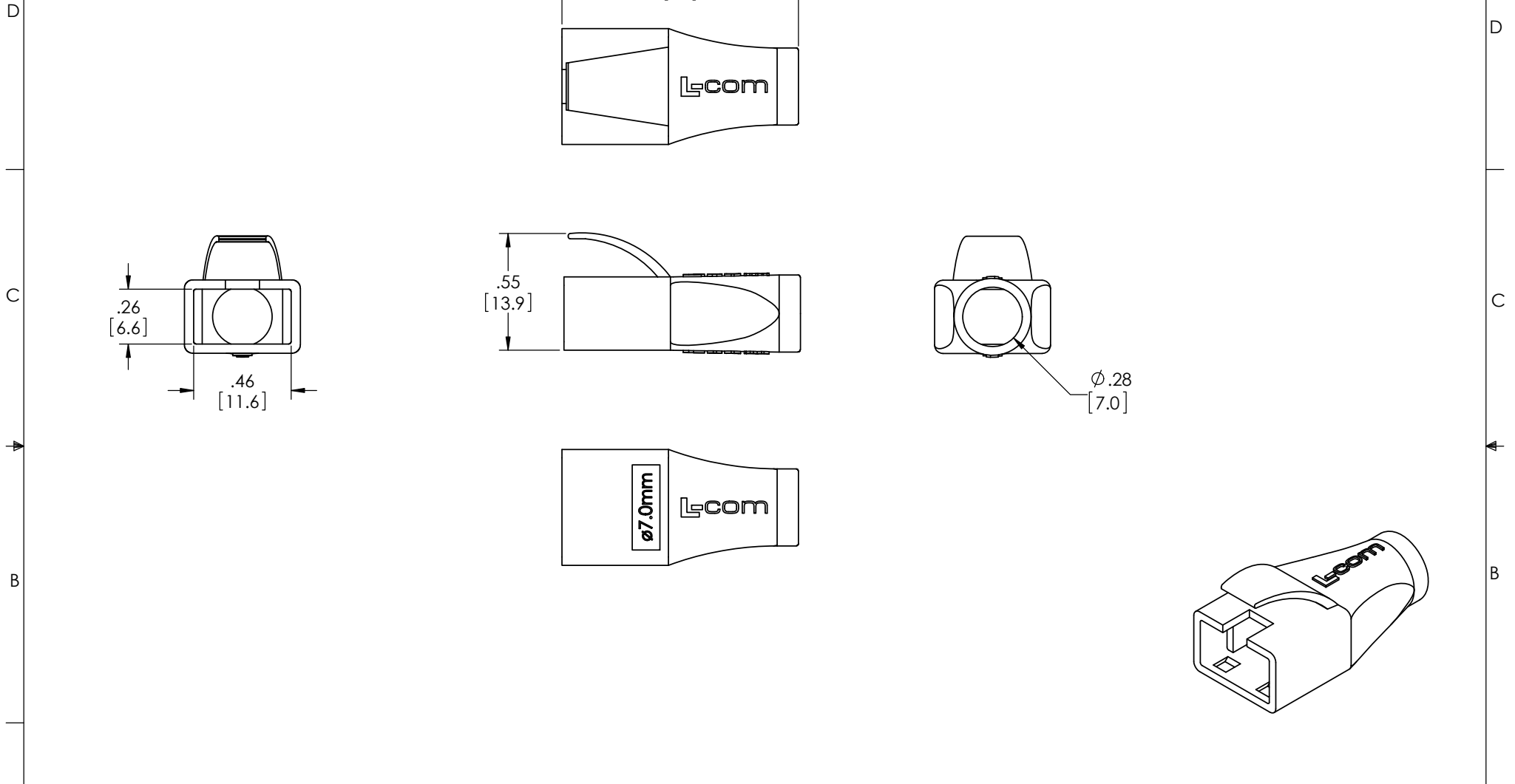


THE INFORMATION CONTAINED IN THIS DRAWING IS THE SOLE PROPERTY OF L-COM, INC. ANY REPRODUCTION IN PART OR WHOLE WITHOUT THE WRITTEN PERMISSION OF L-COM, INC. IS PROHIBITED.

REVISIONS			
REV	DESCRIPTION	DATE	APPROVED
A	INITIAL RELEASE	10/21/2014	B.ZHANG



NOTES:

1. BOOTS ARE PACKAGED 50 PIECES PER BAG.
2. FLAMMABILITY RATING: UL94V-0; COLOR: BLACK

REGULATORY COMPLIANCE:
CE2011/65/EU (ROHS DIRECTIVE)

UNLESS OTHERWISE SPECIFIED, DIMENSIONS ARE IN INCHES [mm] OVERALL CABLE LENGTH TOLERANCE: ≤12 [305] = +1 [25] / -0 >12 [305] ≤60 [1524] = +2 [51] / -0 >60 [1524] ≤120 [3048] = +4 [102] / -0 >120 [3048] ≤300 [7620] = +6 [152] / -0 >300 [7620] = +5% / -0% ALL OTHER DIMENSIONAL TOLERANCES: .X = ± .2 .XX = ± .02 .XXX = ± .005	APPROVALS B.ZHANG	DATE 09/16/2014		45 BEECHWOOD DRIVE NORTH ANDOVER, MA 01845
	CHECKED BY S.PAN	10/20/2014		CATEGORY TELECOM/MODULAR
PROJECTION 	CONFIGURATION DETAILS OF UNDIMENSIONED FEATURES MAY VARY	PRODUCT DESCRIPTION LSZH SNAGLESS BOOT	PRODUCT DESCRIPTION LSZH SNAGLESS BOOT	
COLOR VARIATIONS MAY OCCUR	SIZE A	FSCM NO. 43321	DWG. NO. MPC45D70-BLK	REV. A
SCALE: NONE		CAD FILE: MPC45D70-BLK.SLDDRW		SHEET 1 OF 1