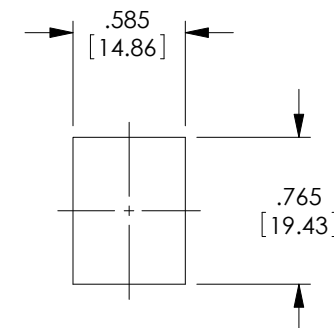
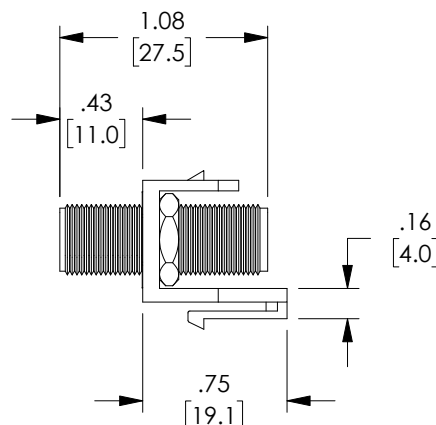
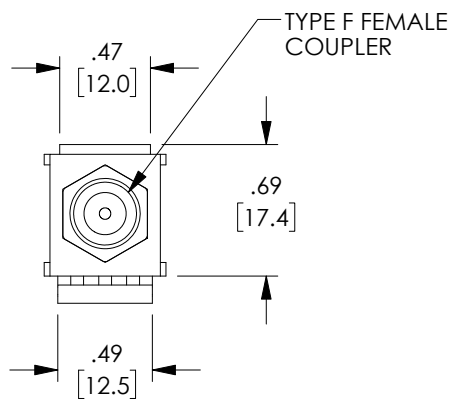
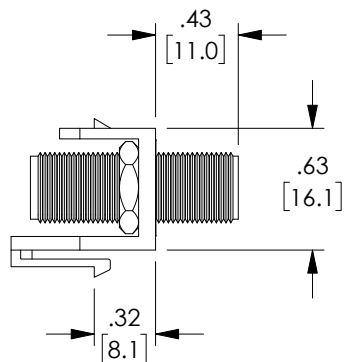
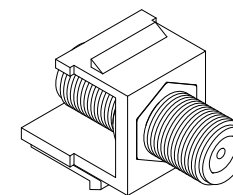
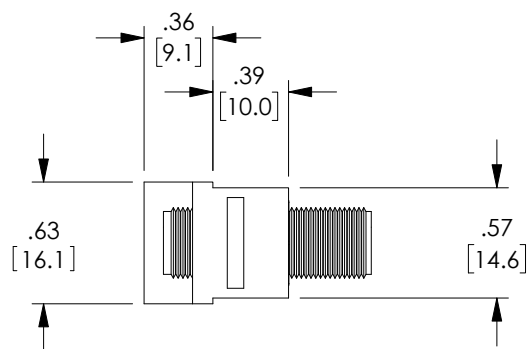


THE INFORMATION CONTAINED IN THIS DRAWING IS THE SOLE PROPERTY OF L-COM, INC. ANY REPRODUCTION IN PART OR WHOLE WITHOUT THE WRITTEN PERMISSION OF L-COM, INC. IS PROHIBITED.

REVISIONS			
REV	DESCRIPTION	DATE	APPROVED
A	INITIAL RELEASE	09/12/2019	DGUTTADAUR



RECOMMENDED
PANEL CUTOUT



NOTES:

MATERIAL: THERMOPLASTIC UL 94V-0, COLOR: WHITE
INSULATOR: BLUE

IMPEDANCE: 75 OHMS

COMPONENT ASSEMBLY SHALL BE INDIVIDUALLY PACKAGED IN
ACCORDANCE WITH L-COM SPECIFICATION PS-0031.

ALL DIMENSIONS ARE FOR REFERENCE ONLY.

UNLESS OTHERWISE SPECIFIED, DIMENSIONS ARE IN INCHES [mm] OVERALL CABLE LENGTH TOLERANCE: ≤12 [305] = +1 [25] / -0 >12 [305] ≤60 [1524] = +2 [51] / -0 >60 [1524] ≤120 [3048] = +4 [102] / -0 >120 [3048] ≤300 [7620] = +6 [152] / -0 >300 [7620] = +5% / -0%	APPROVALS	DATE	 50 HIGH STREET NORTH ANDOVER, MA 01845
	DRAWN BY DFRISIELLO	09/12/2019	
ALL OTHER DIMENSIONAL TOLERANCES: .X = ±.2 [5] .XX = ±.02 [.5] .XXX = ±.005 [.13]	CHECKED BY DGUTTADAUR	09/12/2019	CATEGORY TELECOM/MODULAR
	APPROVED BY DGUTTADAUR	09/12/2019	
PROJECTION	CONFIGURATION DETAILS OF UNDIMENSIONED FEATURES MAY VARY	PRODUCT DESCRIPTION KEYSTONE INSERT F COUPLER, WHITE	
	COLOR VARIATIONS MAY OCCUR	SIZE A	CAGE CODE 43321
		DWG. NO. MJC PF-WT	REV. A
		SCALE: NONE	SHEET 1 OF 1