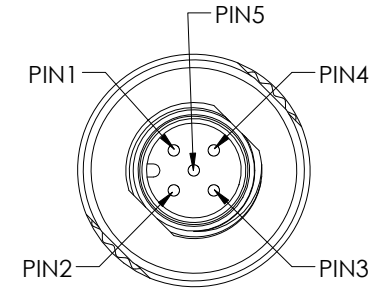
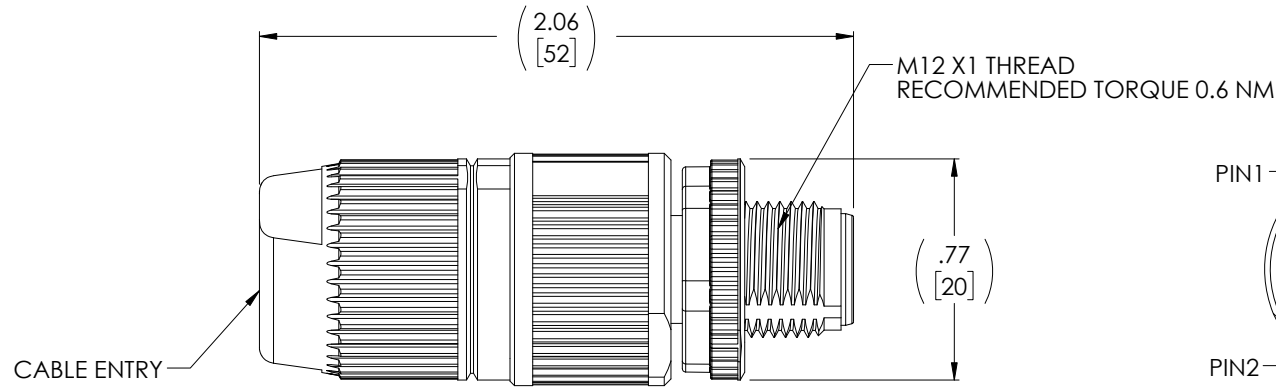


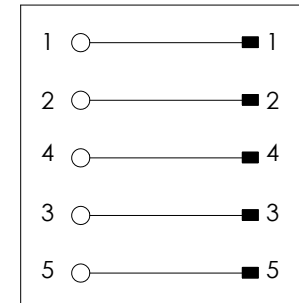
THE INFORMATION CONTAINED IN THIS DRAWING IS THE SOLE PROPERTY OF L-COM, INC. ANY REPRODUCTION IN PART OR WHOLE WITHOUT THE WRITTEN PERMISSION OF L-COM, INC. IS PROHIBITED.

REVISIONS			
REV	DESCRIPTION	DATE	APPROVED
A	INITIAL RELEASE PER DUSTIN GUTTADAURO	03/31/2017	JLABOY



M12
MALE 5 POSITION

WIRING DIAGRAM



SPlicing RING M12 MALE

NOTES:

MECHANICAL DATA

1. HOUSING: M12 MALE, 5 POLE
2. CONDUCTOR CROSS SECTION: 22AWG - 20AWG [0.34MM² - 0.5MM²]
3. ISOLATION MATERIALS: PVC/PP
4. WIRE DIAMETER: .047 [1.20MM] - .079 [2.0MM]
5. CABLE OUTSIDE DIAMETER: .185 [4.7MM] - .236 [6.0MM]
6. PROTECTION: IP67 (WHEN MATED AND TIGHTENED, EN60529)
7. TEMP RANGE: -25°C TO +85°C

MISCELLANEOUS

1. NOMINAL VOLTAGE: MAX 50V AC/DC
2. RATED CURRENT: MAX 4A PER CONTACT
3. SHIPS UNASSEMBLED

REGULATORY COMPLIANCE:

CE 2011/65/EU (ROHS DIRECTIVE)

UNLESS OTHERWISE SPECIFIED, DIMENSIONS ARE IN INCHES [mm] OVERALL CABLE LENGTH TOLERANCE: ≤12 [305] = +1 [25] / -0 >12 [305] ≤60 [1524] = +2 [51] / -0 >60 [1524] ≤120 [3048] = +4 [102] / -0 >120 [3048] ≤300 [7620] = +6 [152] / -0 >300 [7620] = +5% / -0% ALL OTHER DIMENSIONAL TOLERANCES: .X = ± .2 [5.08] .XX = ± .02 [5.1] .XXX = ±.005 [1.3]	APPROVALS DRAWN BY D.CUI	DATE 03/28/2017		50 HIGH STREET NORTH ANDOVER, MA 01845	
	CHECKED BY B.ZHANG	DATE 03/28/2017		CATEGORY TELECOM/MODULAR	
	APPROVED BY S.PAN	DATE 03/28/2017	PRODUCT DESCRIPTION M12 ,MALE ,STRAIGHT 5-POLE		
	PROJECTION 	COLOR VARIATIONS MAY OCCUR	SIZE A	FSCM NO. 43321	DWG. NO. M12FT5AM
		SCALE: NONE	CAD FILE: M12FT5AM.SLDDRW	SHEET 1 OF 1	