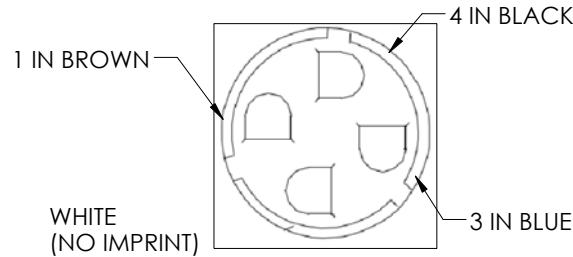
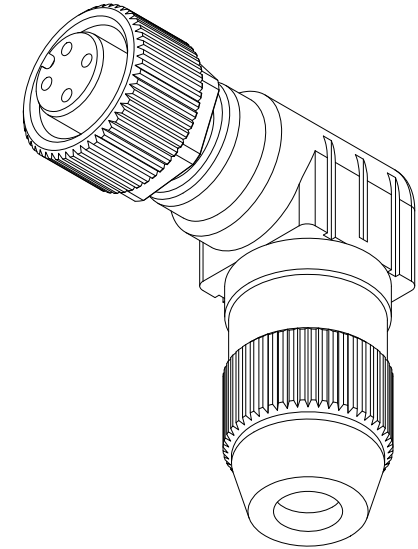
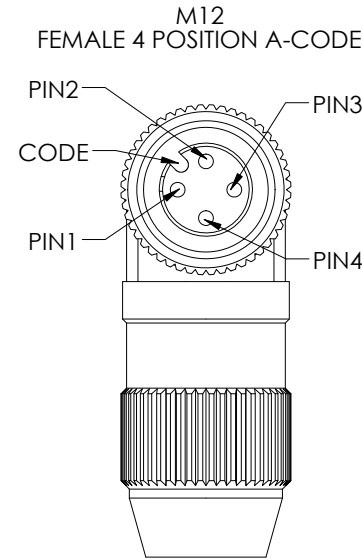
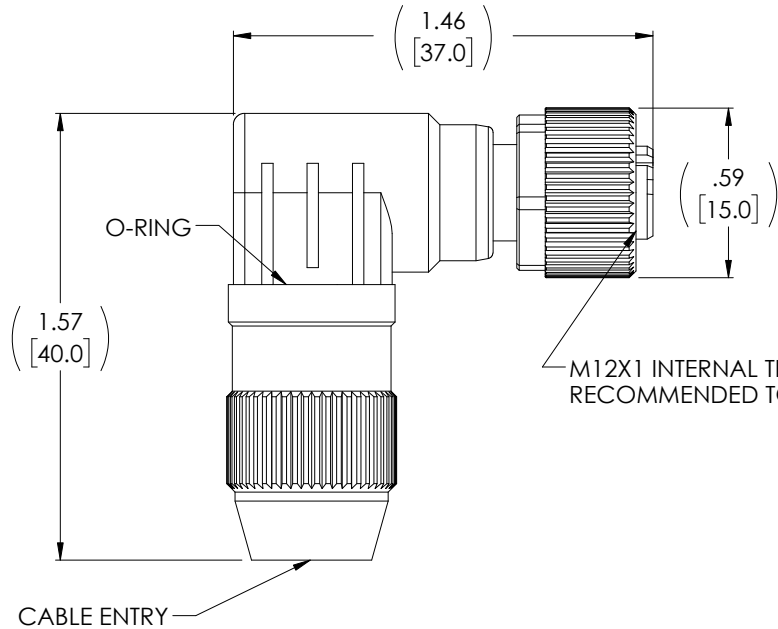


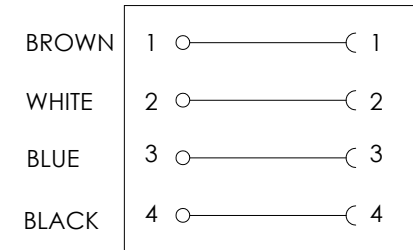
THE INFORMATION CONTAINED IN THIS DRAWING IS THE SOLE PROPERTY OF L-COM, INC. ANY REPRODUCTION IN PART OR WHOLE WITHOUT THE WRITTEN PERMISSION OF L-COM, INC. IS PROHIBITED.

REVISIONS			
REV	DESCRIPTION	DATE	APPROVED
A	INITIAL RELEASE PER DUSTIN GUTTADAURO	04/04/2017	JLABOY
B	ECN 12066: ADDED MISC. NOTE 5	09/01/2022	GUTTADAURO



INSULATION DISPLACEMENT  
SPLICING RING

WIRING DIAGRAM



SPLICING RING M12 FEMALE

**NOTES:**

**MECHANICAL DATA**


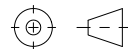
- HOUSING: M12 FEMALE, RIGHT ANGLE, 4 POLE, A-CODE
- SCREW MATERIAL: ZINC PRESSURE DIE CASTING, SURFACE NICKEL
- CONDUCTOR CROSS SECTION: 23 AWG-20 AWG [0.25MM<sup>2</sup> - 0.5MM<sup>2</sup>]
- ISOLATION MATERIALS: PVC/PP/TPE
- WIRE DIAMETER: .047 [1.20MM] - .063 [1.60MM]
- CABLE OUTSIDE DIAMETER: .157 [4.0MM] - .201 [5.1MM]
- PROTECTION: IP67 (WHEN MATED AND TIGHTENED, EN60529)
- TEMP RANGE: -25°C TO +85°C

**MISCELLANEOUS**

- NOMINAL VOLTAGE: MAX 32V AC/DC
- RATED CURRENT: MAX 4A PER CONTACT
- ISOLATION RESISTANCE: CATEGORY III ACCORDING TO IEC 60664-1
- SHIPS UNASSEMBLED
- A 5th CENTER PIN HOLE POSITION MAY APPEAR REGARDLESS OF THE NUMBER OF ACTUAL CONDUCTORS AND WILL NOT BE CONNECTED ELECTRICALLY BUT ALLOWS MATING WITH 5 POLE CABLES, IF NEEDED.

**REGULATORY COMPLIANCE:**

EU ROHS DIRECTIVE (MOST RECENT RELEASED VERSION)

UNLESS OTHERWISE SPECIFIED, DIMENSIONS ARE IN INCHES [mm]  OVERALL CABLE LENGTH TOLERANCE: ≤12 [305] = +1 [25] / -0 >12 [305] ≤60 [1524] = +2 [51] / -0 >60 [1524] ≤120 [3048] = +4 [102] / -0 >120 [3048] ≤300 [7620] = +6 [152] / -0 >300 [7620] = +5% / -0  ALL OTHER DIMENSIONAL TOLERANCES: .X = ± .2 [5]   FRACTIONS ± 1/32 .XX = ± .02 [.5]   ANGLES ± 1° .XXX = ± .005 [.13]	APPROVALS	DATE	 50 High Street, West Mill, North Andover, MA 01845 USA. Phone: 1.800.341.5266 1.978.682.6936		
	DRAWN BY DCUI	03/29/2017			
	CHECKED BY BZHANG	03/29/2017			
	APPROVED BY SPAN	03/29/2017			
THIRD-ANGLE PROJECTION 	CONFIGURATION DETAILS OF UNDIMENSIONED FEATURES MAY VARY	CATEGORY <b>TELECOM/MODULAR</b>	PRODUCT DESCRIPTION <b>M12 ,FEMALE ,RIGHT ANGLE 4-POLE</b>		
	COLOR VARIATIONS MAY OCCUR	SIZE <b>A</b>	CAGE CODE <b>43321</b>	ITEM NO. <b>M12FT4AF90</b>	REV. <b>B</b>
		SCALE: NONE	CAD FILE: M12FT4AF90.SLDDRW	SHEET 1 OF 1	