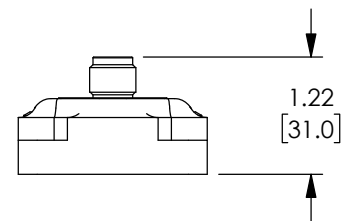
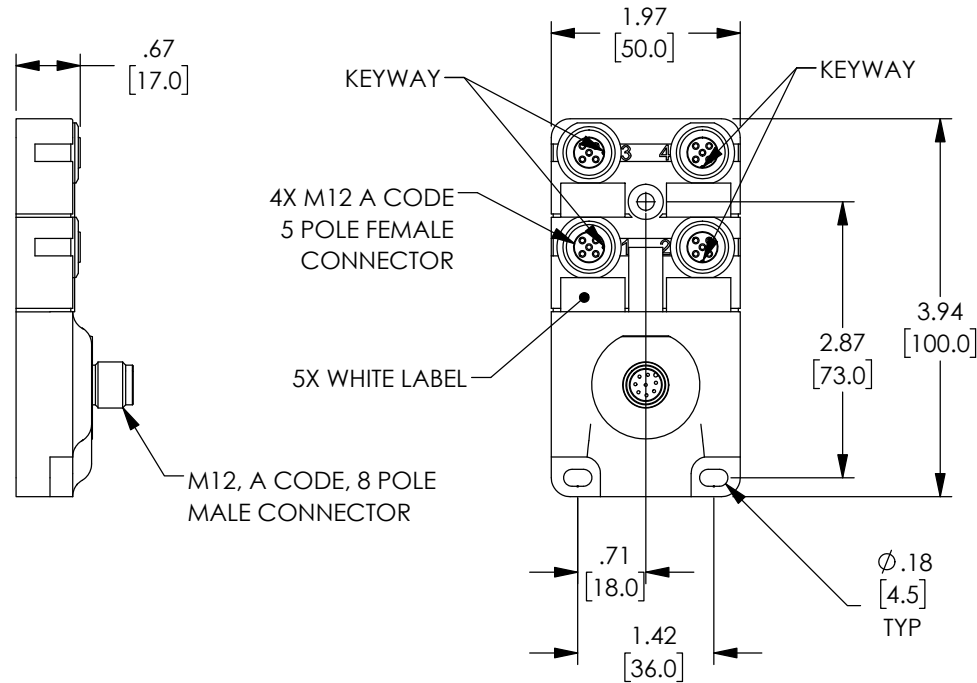
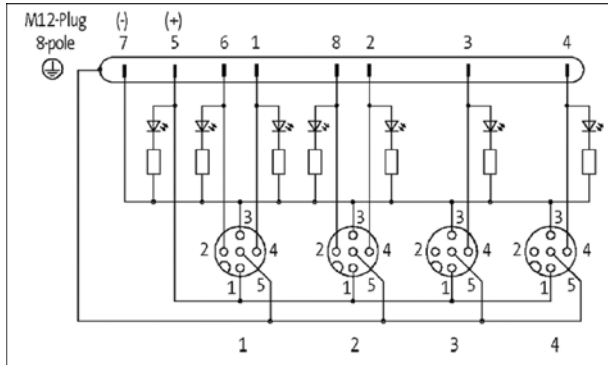


THE INFORMATION CONTAINED IN THIS DRAWING IS THE SOLE PROPERTY OF L-COM, INC. ANY REPRODUCTION IN PART OR WHOLE WITHOUT THE WRITTEN PERMISSION OF L-COM, INC. IS PROHIBITED.

REVISIONS			
REV	DESCRIPTION	DATE	APPROVED
A	INITIAL RELEASE	11/18/2019	GUTTADAURO



**SPECIFICATIONS:**

**M12 FEMALE CONTACT LAYOUT:**

- PIN 1 (+)
- PIN 2 (NC)/(S2)
- PIN 3 (-)
- PIN 4 (NO)/(S1)
- PIN 5 (EARTH)

LED DISPLAY: GREEN-POWER / YELLOW-S1 / WHITE-S2

OPERATING VOLTAGE: 24V DC

OPERATING CURRENT PER CONTACT: 2A MAX.

TOTAL CURRENT: 2A MAX.


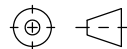
PROTECTION: IP65 / IP67

HOUSING: PLASTIC, FLAME RETARDANT

TEMPERATURE RANGE: -20° C TO +70° C

ALL DIMENSIONS ARE FOR REFERENCE ONLY.

PACKAGING: COMPONENT SHALL BE INDIVIDUALLY PACKAGED IN ACCORDANCE WITH L-COM SPECIFICATION PS-0031.

UNLESS OTHERWISE SPECIFIED, DIMENSIONS ARE IN INCHES [mm] OVERALL CABLE LENGTH TOLERANCE: ≤12 [305] = +1 [25] / -0 >12 [305] ≤60 [1524] = +2 [51] / -0 >60 [1524] ≤120 [3048] = +4 [102] / -0 >120 [3048] ≤300 [7620] = +6 [152] / -0 >300 [7620] = +5% / -0 ALL OTHER DIMENSIONAL TOLERANCES: .X = ± .2 [5]   FRACTIONS ± 1/32 .XX = ± .02 [5]   ANGLES ± 1° .XXX = ± .005 [13]	APPROVALS	DATE	 an INFINITO brand	50 High Street, West Mill, North Andover, MA 01845 USA. Phone: 1.800.341.5266 1.978.682.6936
	DRAWN BY DFRISIELLO	11/12/2019		
	CHECKED BY GUTTADAURO	11/18/2019	PRODUCT DESCRIPTION M12 PASS DISTY BOX 4WAY 4x5PAF to 1x8PAM	
	APPROVED BY GUTTADAURO	11/18/2019	SIZE A	CAGE CODE 43321
THIRD-ANGLE PROJECTION 	CONFIGURATION DETAILS OF UNDIMENSIONED FEATURES MAY VARY		DWG. NO. M12DB4W-5PAF-8PAM	REV. A
	COLOR VARIATIONS MAY OCCUR		SCALE: NONE	CAD FILE: M12DB4W-5PAF-8PAM.SLDDRW
			SHEET 1 OF 1	