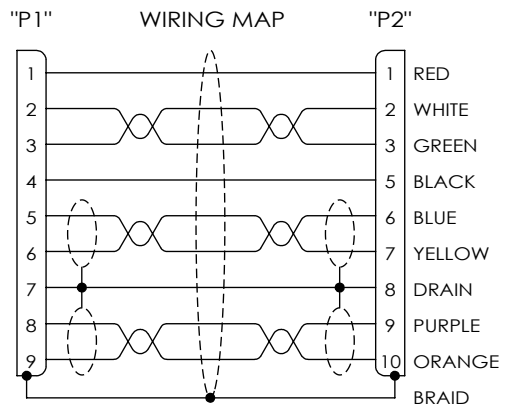
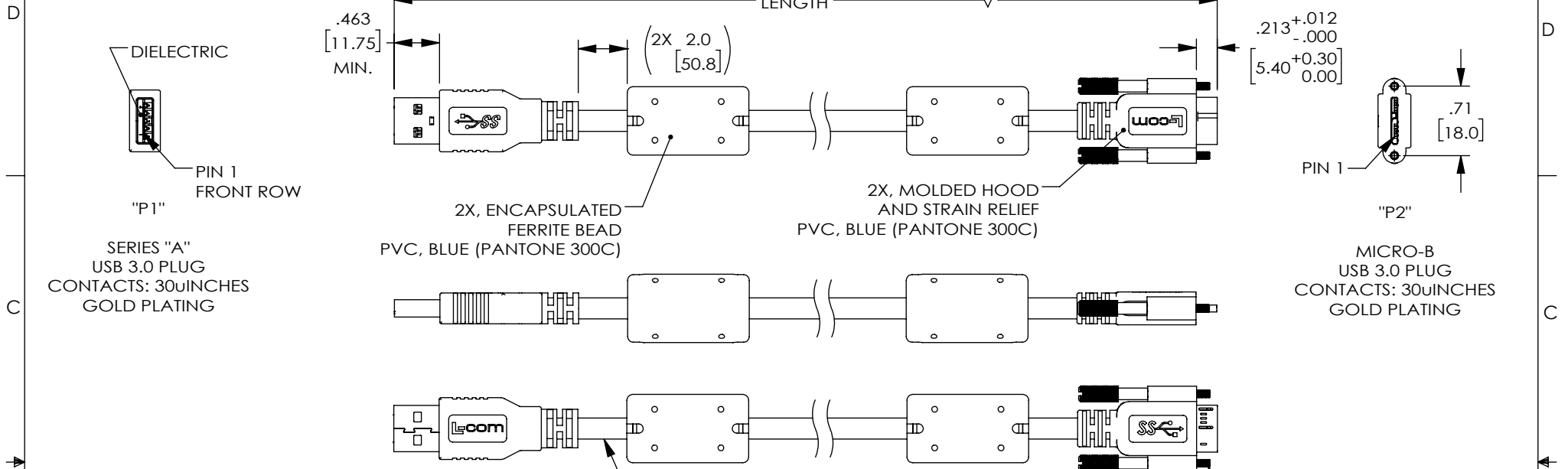


THE INFORMATION CONTAINED IN THIS DRAWING IS THE SOLE PROPERTY OF L-COM, INC. ANY REPRODUCTION IN PART OR WHOLE WITHOUT THE WRITTEN PERMISSION OF L-COM, INC. IS PROHIBITED.

REVISION					
ZONE	REV	DESCRIPTION	DATE	CHANGED BY	APPROVED
	A	INITIAL RELEASE	03/19/2024	SLI	WLI



PART NUMBER	LENGTH METERS [FEET]
LCC201005-0.5M	0.5 [1.64]
LCC201005-1M	1.0 [3.28]
LCC201005-1.5M	1.5 [4.92]
LCC201005-2M	2.0 [6.56]
LCC201005-2.5M	2.5 [8.20]
LCC201005-3M	3.0 [9.84]

- NOTES:**
- CABLE ASSEMBLY SHALL BE TESTED FOR CONTINUITY.
 - CABLE ASSEMBLY SHALL HAVE 360° SHIELD TERMINATION.
 - CABLE ASSEMBLY SHALL BE INDIVIDUALLY PACKAGED IN ACCORDANCE WITH L-COM SPECIFICATION PS-0031.

REGULATORY COMPLIANCE:
EU RoHS DIRECTIVE (MOST RECENT RELEASED VERSION)

<p>UNLESS OTHERWISE SPECIFIED, DIMENSIONS ARE IN INCHES [mm]</p> <p>OVERALL CABLE LENGTH TOLERANCE: ≤12 [305] = +1 [25] / -0 >12 [305] ≤60 [1524] = +2 [51] / -0 >60 [1524] ≤120 [3048] = +4 [102] / -0 >120 [3048] ≤300 [7620] = +6 [152] / -0 >300 [7620] = +5% / -0</p> <p>ALL OTHER DIMENSIONAL TOLERANCES: .X = ± .2 [5] FRACTIONS ± 1/32 .XX = ± .02 [.5] ANGLES ± 1° .XXX = ± .005 [.13]</p> <p>THIRD-ANGLE PROJECTION</p>	<p>APPROVALS</p> <p>DRAWN BY SLI</p> <p>CHECKED BY WLI</p> <p>APPROVED BY WLI</p>	<p>DATE</p> <p>03/04/2024</p> <p>03/04/2024</p> <p>03/04/2024</p>	<p>L-com an INFINITI brand</p> <p>50 High Street, West Mill, North Andover, MA 01845 USA. Phone: 1.800.341.5266 1.978.682.6936</p>	
	<p>CONFIGURATION DETAILS OF UNDIMENSIONED FEATURES MAY VARY</p>			<p>CATEGORY</p> <p>USB</p>
	<p>COLOR VARIATIONS MAY OCCUR</p>			<p>PRODUCT DESCRIPTION</p> <p>USB 3.0 A-MICB THUMBSCREW WITH FERRITE</p>
	<p>SIZE</p> <p>A</p>	<p>CAGE CODE</p> <p>43321</p>		<p>ITEM NO.</p> <p>LCC201005</p>
<p>SCALE: NONE</p>			<p>CAD FILE: LCC201005.SLDDRW</p>	<p>SHEET 1 OF 1</p>