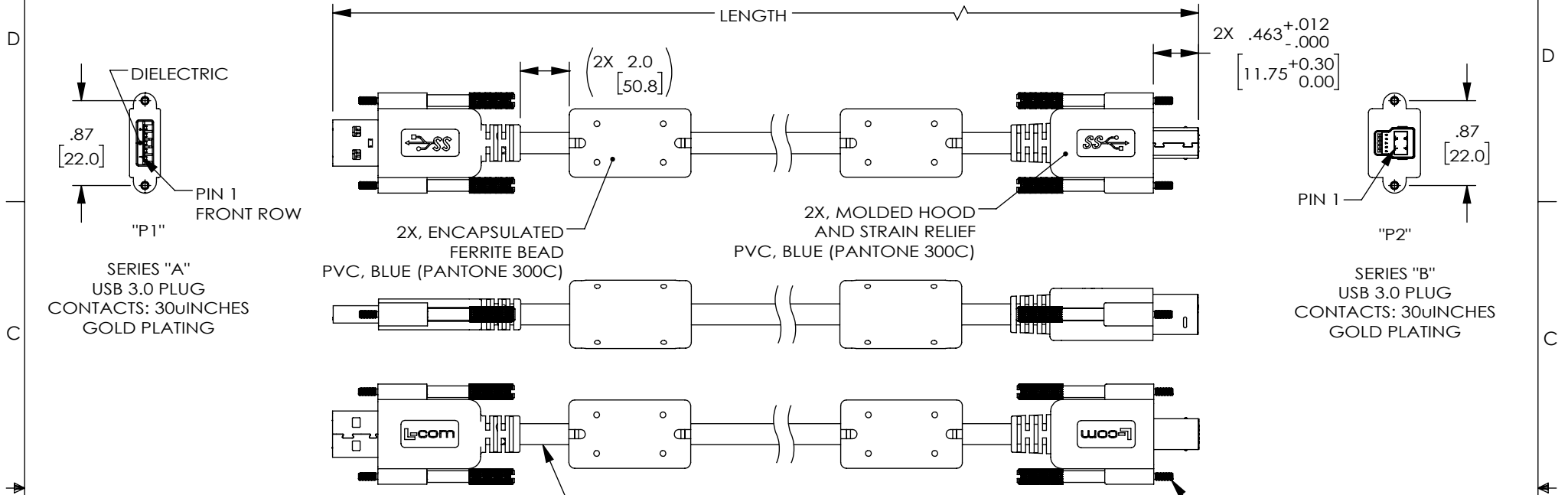


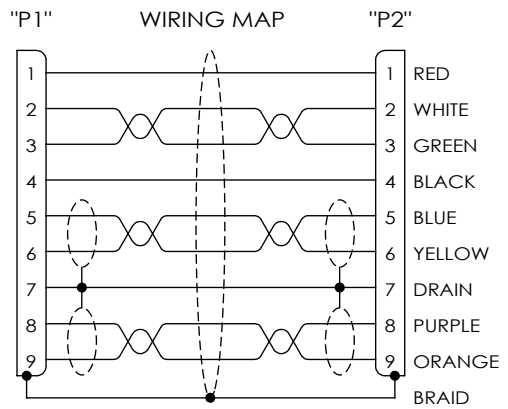
THE INFORMATION CONTAINED IN THIS DRAWING IS THE SOLE PROPERTY OF L-COM, INC. ANY REPRODUCTION IN PART OR WHOLE WITHOUT THE WRITTEN PERMISSION OF L-COM, INC. IS PROHIBITED.

REVISION					
ZONE	REV	DESCRIPTION	DATE	CHANGED BY	APPROVED
	A	INITIAL RELEASE	03/19/2024	SLI	WLI



SERIES "A"
USB 3.0 PLUG
CONTACTS: 30uINCHES
GOLD PLATING

SERIES "B"
USB 3.0 PLUG
CONTACTS: 30uINCHES
GOLD PLATING



UL STYLE 20276,
(2) TWISTED PAIR, 30AWG WITH
ALUM/POLY FOIL SHIELD AND DRAIN WIRE,
(1) UNSHIELDED TWISTED PAIR, 30AWG,
(2) CONDUCTORS, 24AWG,
OVERALL ALUM/POLY AND BRAIDED SHIELD,
JACKET: PVC, BLUE (PANTONE 300C)
(NOM DIA. .217" [5.5], MIN BEND RAD 2.17" [55])

PART NUMBER	LENGTH METERS [FEET]
LCC201004-0.5M	0.5 [1.64]
LCC201004-1M	1.0 [3.28]
LCC201004-1.5M	1.5 [4.92]
LCC201004-2M	2.0 [6.56]
LCC201004-2.5M	2.5 [8.20]
LCC201004-3M	3.0 [9.84]

- NOTES:**
- CABLE ASSEMBLY SHALL BE TESTED FOR CONTINUITY.
 - CABLE ASSEMBLY SHALL HAVE 360° SHIELD TERMINATION.
 - CABLE ASSEMBLY SHALL BE INDIVIDUALLY PACKAGED IN ACCORDANCE WITH L-COM SPECIFICATION PS-0031.

REGULATORY COMPLIANCE:
EU RoHS DIRECTIVE (MOST RECENT RELEASED VERSION)

<p>UNLESS OTHERWISE SPECIFIED, DIMENSIONS ARE IN INCHES [mm]</p> <p>OVERALL CABLE LENGTH TOLERANCE: ≤12 [305] = +1 [25] / -0 >12 [305] ≤60 [1524] = +2 [51] / -0 >60 [1524] ≤120 [3048] = +4 [102] / -0 >120 [3048] ≤300 [7620] = +6 [152] / -0 >300 [7620] = +5% / -0</p> <p>ALL OTHER DIMENSIONAL TOLERANCES: .X = ± .2 [5] FRACTIONS ± 1/32 .XX = ± .02 [.5] ± 1/32 .XXX = ± .005 [.13] ANGLES ± 1°</p> <p>THIRD-ANGLE PROJECTION</p>	<p>APPROVALS</p> <p>DATE</p>	<p>50 High Street, West Mill, North Andover, MA 01845 USA. Phone: 1.800.341.5266 1.978.682.6936</p>	
	<p>DRAWN BY SLI</p> <p>CHECKED BY WLI</p> <p>APPROVED BY WLI</p>		<p>03/04/2024</p> <p>03/04/2024</p> <p>03/04/2024</p>
	<p>CONFIGURATION DETAILS OF UNDIMENSIONED FEATURES MAY VARY</p> <p>COLOR VARIATIONS MAY OCCUR</p>		<p>CATEGORY</p> <p>PRODUCT DESCRIPTION</p>
	<p>SIZE A</p> <p>CAGE CODE 43321</p> <p>ITEM NO. LCC201004</p> <p>SCALE: NONE CAD FILE: LCC201004.SLDDRW</p>		<p>USB</p> <p>USB 3.0 A THUMBSCREW-B THUMBSCREW WITH FERRITE</p> <p>SHEET 1 OF 1</p>