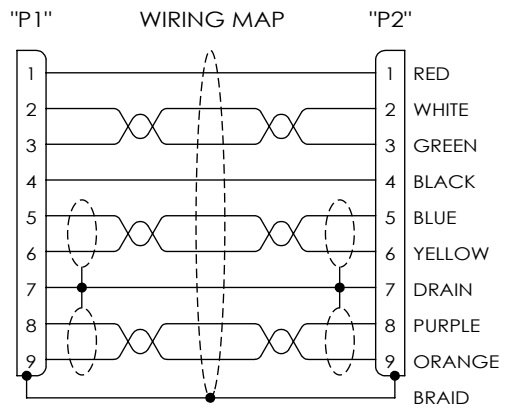
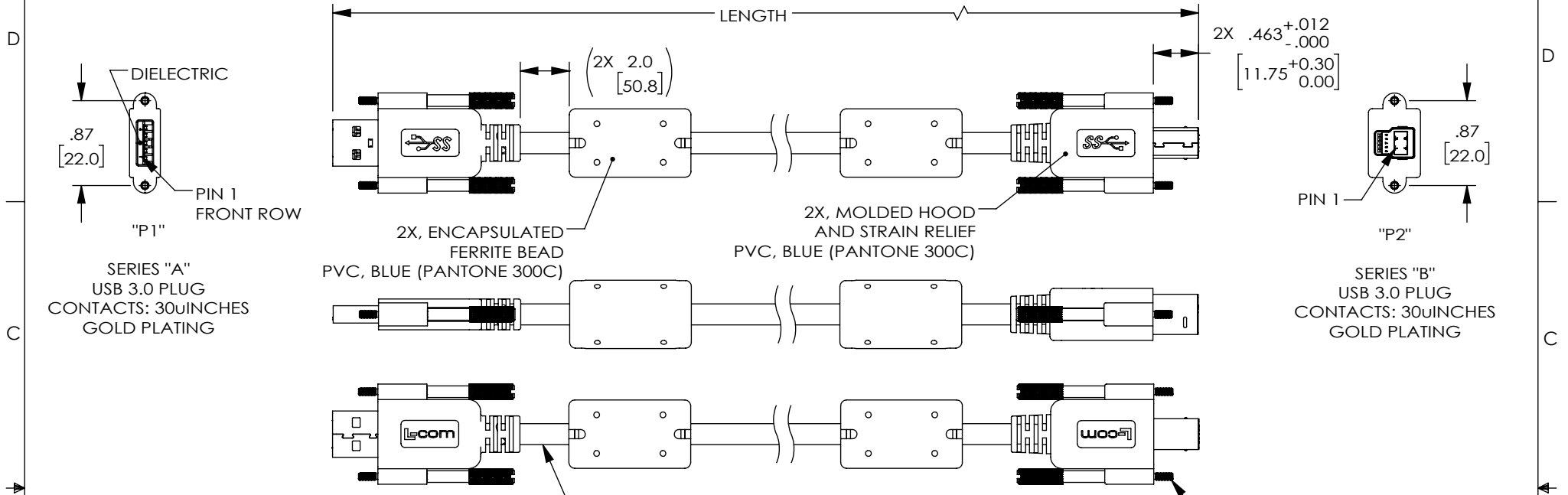


THE INFORMATION CONTAINED IN THIS DRAWING IS THE SOLE PROPERTY OF L-COM, INC. ANY REPRODUCTION IN PART OR WHOLE WITHOUT THE WRITTEN PERMISSION OF L-COM, INC. IS PROHIBITED.

REVISION					
ZONE	REV	DESCRIPTION	DATE	CHANGED BY	APPROVED
	A	INITIAL RELEASE	03/19/2024	SLI	WLI


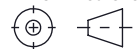


UL STYLE 20276,
 (2) TWISTED PAIR, 30AWG WITH ALUM/POLY FOIL SHIELD AND DRAIN WIRE,
 (1) UNSHIELDED TWISTED PAIR, 30AWG,
 (2) CONDUCTORS, 24AWG,
 OVERALL ALUM/POLY AND BRAIDED SHIELD,
 JACKET: PVC, BLUE (PANTONE 300C)
 (NOM DIA. .217" [5.5], MIN BEND RAD 2.17" [55])

PART NUMBER	LENGTH METERS [FEET]
LCC201004-0.5M	0.5 [1.64]
LCC201004-1M	1.0 [3.28]
LCC201004-1.5M	1.5 [4.92]
LCC201004-2M	2.0 [6.56]
LCC201004-2.5M	2.5 [8.20]
LCC201004-3M	3.0 [9.84]

- NOTES:**
- CABLE ASSEMBLY SHALL BE TESTED FOR CONTINUITY.
 - CABLE ASSEMBLY SHALL HAVE 360° SHIELD TERMINATION.
 - CABLE ASSEMBLY SHALL BE INDIVIDUALLY PACKAGED IN ACCORDANCE WITH L-COM SPECIFICATION PS-0031.

REGULATORY COMPLIANCE:
 EU RoHS DIRECTIVE (MOST RECENT RELEASED VERSION)

UNLESS OTHERWISE SPECIFIED, DIMENSIONS ARE IN INCHES [mm] OVERALL CABLE LENGTH TOLERANCE: ≤ 12 [305] = +1 [25] / -0 > 12 [305] ≤ 60 [1524] = +2 [51] / -0 > 60 [1524] ≤ 120 [3048] = +4 [102] / -0 > 120 [3048] ≤ 300 [7620] = +6 [152] / -0 > 300 [7620] = +5% / -0 ALL OTHER DIMENSIONAL TOLERANCES: .X = $\pm .2$ [5] FRACTIONS $\pm 1/32$.XX = $\pm .02$ [.5] $\pm 1/32$.XXX = $\pm .005$ [.13] ANGLES $\pm 1^\circ$	APPROVALS SLI WLI WLI	DATE 03/04/2024 03/04/2024 03/04/2024	 50 High Street, West Mill, North Andover, MA 01845 USA. Phone: 1.800.341.5266 1.978.682.6936	
	DRAWN BY CHECKED BY APPROVED BY	CATEGORY USB		
	CONFIGURATION DETAILS OF UNDIMENSIONED FEATURES MAY VARY	PRODUCT DESCRIPTION USB 3.0 A THUMBSCREW-B THUMBSCREW WITH FERRITE		
	COLOR VARIATIONS MAY OCCUR	SIZE A		CAGE CODE 43321
THIRD-ANGLE PROJECTION 	SCALE: NONE CAD FILE: LCC201004.SLDDRW SHEET 1 OF 1			