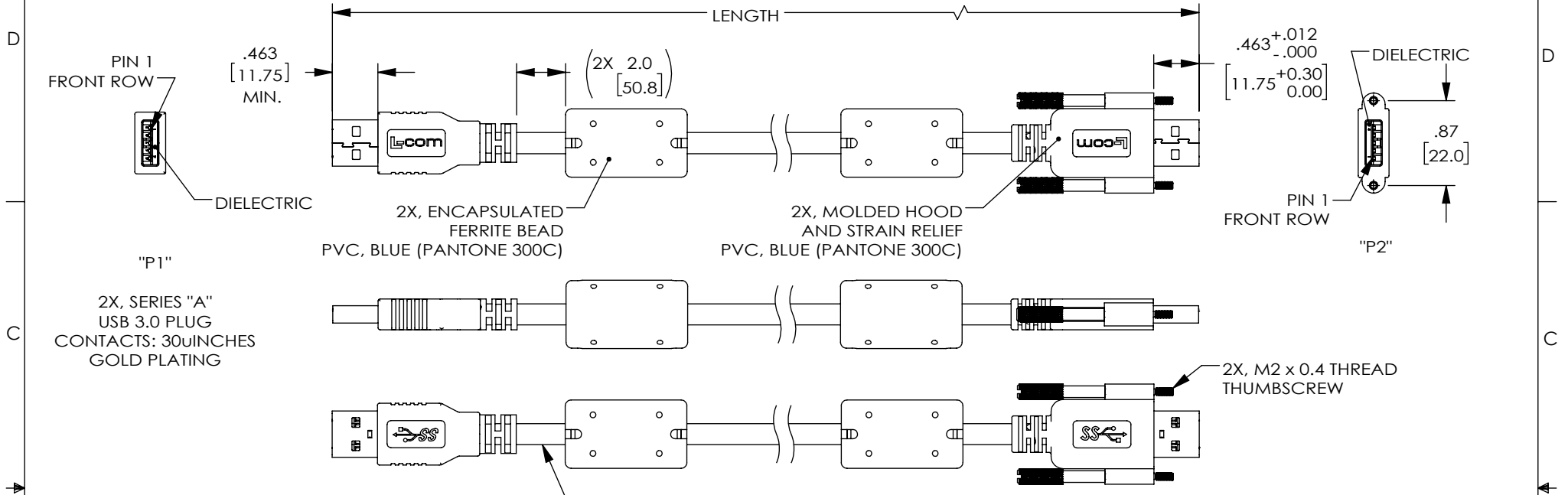


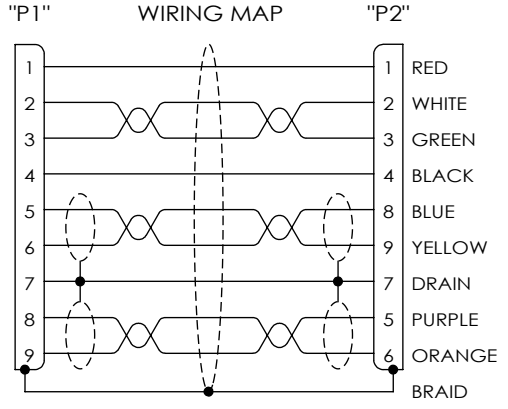
THE INFORMATION CONTAINED IN THIS DRAWING IS THE SOLE PROPERTY OF L-COM, INC. ANY REPRODUCTION IN PART OR WHOLE WITHOUT THE WRITTEN PERMISSION OF L-COM, INC. IS PROHIBITED.

REVISION					
ZONE	REV	DESCRIPTION	DATE	CHANGED BY	APPROVED
	A	INITIAL RELEASE	03/19/2024	SLI	WLI



2X, SERIES "A" USB 3.0 PLUG CONTACTS: 30 INCHES GOLD PLATING

2X, M2 x 0.4 THREAD THUMBSCREW




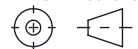
UL STYLE 20276,
 (2) TWISTED PAIR, 30AWG WITH ALUM/POLY FOIL SHIELD AND DRAIN WIRE,
 (1) UNSHIELDED TWISTED PAIR, 30AWG,
 (2) CONDUCTORS, 24AWG, OVERALL ALUM/POLY AND BRAIDED SHIELD,
 JACKET: PVC, BLUE (PANTONE 300C)
 (NOM DIA. .217" [5.5], MIN BEND RAD 2.17" [55])

PART NUMBER	LENGTH METERS [FEET]
LCC201001-0.5M	0.5 [1.64]
LCC201001-1M	1.0 [3.28]
LCC201001-1.5M	1.5 [4.92]
LCC201001-2M	2.0 [6.56]
LCC201001-2.5M	2.5 [8.20]
LCC201001-3M	3.0 [9.84]

NOTES:

1. CABLE ASSEMBLY SHALL BE TESTED FOR CONTINUITY.
2. CABLE ASSEMBLY SHALL HAVE 360° SHIELD TERMINATION.
3. CABLE ASSEMBLY SHALL BE INDIVIDUALLY PACKAGED IN ACCORDANCE WITH L-COM SPECIFICATION PS-0031.

REGULATORY COMPLIANCE:
 EU RoHS DIRECTIVE (MOST RECENT RELEASED VERSION)

UNLESS OTHERWISE SPECIFIED, DIMENSIONS ARE IN INCHES [mm] OVERALL CABLE LENGTH TOLERANCE: ≤12 [305] = +1 [25] / -0 >12 [305] ≤60 [1524] = +2 [51] / -0 >60 [1524] ≤120 [3048] = +4 [102] / -0 >120 [3048] ≤300 [7620] = +6 [152] / -0 >300 [7620] = +5% / -0 ALL OTHER DIMENSIONAL TOLERANCES: .X = ± .2 [5] FRACTIONS ± 1/32 .XX = ± .02 [0.5] ANGLES ± 1° .XXX = ± .005 [0.13]	APPROVALS SLI	DATE 03/04/2024	 50 High Street, West Mill, North Andover, MA 01845 USA. Phone: 1.800.341.5266 1.978.682.6936	
	DRAWN BY WLI	CHECKED BY WLI		APPROVED BY WLI
	CONFIGURATION DETAILS OF UNDIMENSIONED FEATURES MAY VARY			
	COLOR VARIATIONS MAY OCCUR			
THIRD-ANGLE PROJECTION 	PRODUCT DESCRIPTION USB 3.0 A-A THUMBSCREW WITH FERRITE		CATEGORY USB	
SIZE A	CAGE CODE 43321	ITEM NO. LCC201001	REV. A	
SCALE: NONE		CAD FILE: LCC201001.SLDDRW	SHEET 1 OF 1	