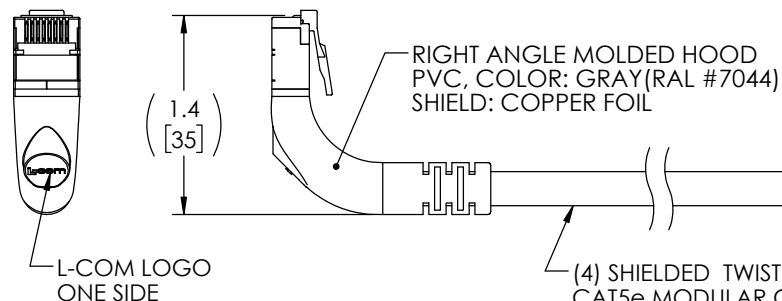
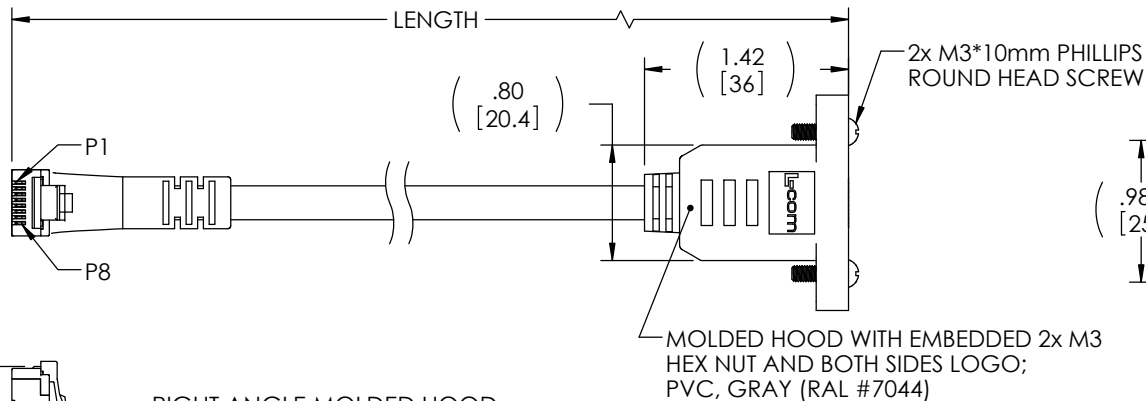


THE INFORMATION CONTAINED IN THIS DRAWING IS THE SOLE PROPERTY OF L-COM, INC. ANY REPRODUCTION IN PART OR WHOLE WITHOUT THE WRITTEN PERMISSION OF L-COM, INC. IS PROHIBITED.

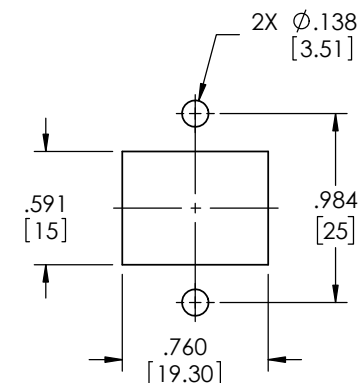
REVISION					
ZONE	REV	DESCRIPTION	DATE	CHANGED BY	APPROVED
	A	INITIAL RELEASE	02/01/2024	BZHANG	WLI

"P1"
RJ45(8P8C)
SHIELDED MALE
GOLD PLATED PINS



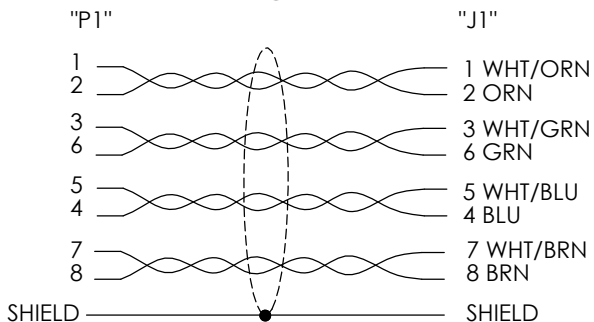
(4) SHIELDED TWISTED PAIRS,
CAT5e MODULAR CABLE,
CONDUCTORS: 26AWG STRANDED COPPER
OVERALL SHIELD: ALUMINUM MYLAR,
OUTER JACKET: PVC, GRAY (RAL #7044)

"J1"
RJ45 (8P8C)
SHIELDED FEMALE
GOLD PLATED CONTACTS



RECOMMENDED PANEL CUTOUT


WIRING MAP



PART NUMBER	LENGTH	
	METERS	FEET
LCC101001-D-0.5M	0.50	1.64
LCC101001-D-0.75M	0.75	2.46
LCC101001-D-1M	1.00	3.28
LCC101001-D-1.5M	1.50	4.92
LCC101001-D-2M	2.00	6.56

NOTES:

1. MODULAR CONNECTOR TO MEET TIA-1096.
2. CABLE ASSEMBLY TO BE SHIPPED WITH (2) M3 X 10mm LONG PHILLIPS ROUND HEAD SCREWS
3. CABLE ASSEMBLY SHALL BE TESTED FOR CONTINUITY.
4. CABLE ASSEMBLY SHALL BE INDIVIDUALLY PACKAGED IN ACCORDANCE WITH L-COM SPEC. PS-0031.

UNLESS OTHERWISE SPECIFIED, DIMENSIONS ARE IN INCHES [mm] OVERALL CABLE LENGTH TOLERANCE: ≤12 [305] = +1 [25] / -0 >12 [305] ≤60 [1524] = +2 [51] / -0 >60 [1524] ≤120 [3048] = +4 [102] / -0 >120 [3048] ≤300 [7620] = +6 [152] / -0 >300 [7620] = +5% / -0 ALL OTHER DIMENSIONAL TOLERANCES: .X = ±.2 [5] FRACTIONS ± 1/32 .XX = ±.02 [5] ANGLES ±1° .XXX = ±.005 [13]	APPROVALS	DATE	 50 High Street, West Mill, North Andover, MA 01845 USA. Phone: 1.800.341.5266 1.978.682.6936
	DRAWN BY BZHANG	12/25/2023	
	CHECKED BY WLI	12/25/2023	PRODUCT DESCRIPTION C5e RJ45 FLANGE MNT F SHLD/90° DWN M FTP PVC GRY
	APPROVED BY WLI	12/25/2023	
THIRD-ANGLE PROJECTION	CONFIGURATION DETAILS OF UNDIMENSIONED FEATURES MAY VARY		
	COLOR VARIATIONS MAY OCCUR		
REF	SIZE A	CAGE CODE 43321	ITEM NO. LCC101001-D
	SCALE: NONE	CAD FILE: LCC101001-D.SLDDRW	REV. A
			SHEET 1 OF 1