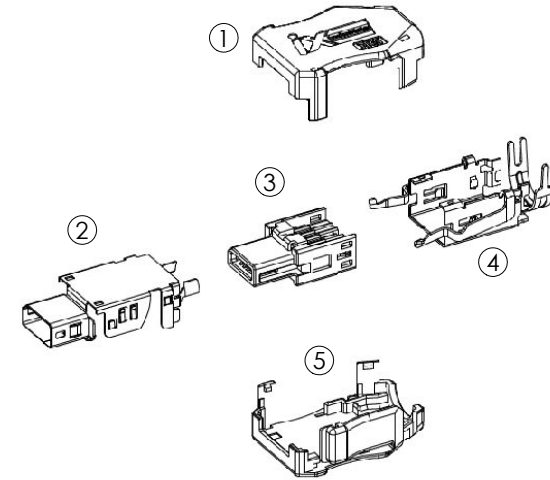
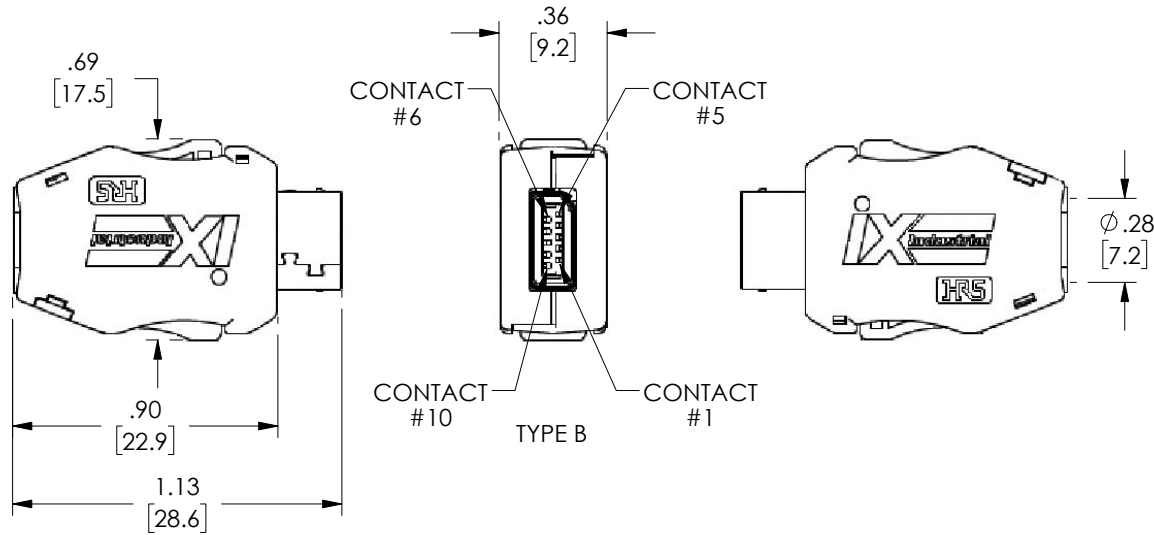


THE INFORMATION CONTAINED IN THIS DRAWING IS THE SOLE PROPERTY OF L-COM, INC. ANY REPRODUCTION IN PART OR WHOLE WITHOUT THE WRITTEN PERMISSION OF L-COM, INC. IS PROHIBITED.

REVISIONS			
REV	DESCRIPTION	DATE	APPROVED
A	INITIAL RELEASE	03/19/2021	GUTTA DAURO



EXPLODED VIEW

PART TABLE	
ITEM	DESCRIPTION
1	COVER CASE
2	SHIELD SHELL
3	PLUG UNIT
4	SHIELD CASE
5	COVER CASE

**NOTES:**

**MECHANICAL DATA:**

1. CONDUCTOR SIZE: 22AWG - 28AWG
2. INSULATION O.D.:  $\phi$ 1.55mm MAX.
3. BRAID SHIELD: TIN PLATING
4. CABLE O.D.:  $\phi$ 6.3-7.2mm

**MISCELLANEOUS:**

1. NOMINAL VOLTAGE: 50 V AC/ 60 V DC
2. THIS DRAWING SHOWS IX40G-B-10S-CV(7.0)
3. THIS PRODUCT (TYPE B) IS USED FOR NON ETHERNET APPLICATIONS LIKE SIGNALING, SERIAL OR OTHER INDUSTRIAL BUS COMMUNICATION SYSTEMS. PLEASE USE TYPE A FOR 10/100 MBIT/S AND 1/10 GBIT/S ETHERNET COMMUNICATION.
4. PRODUCT SHALL BE INDIVIDUALLY PACKAGED IN ACCORDANCE WITH L-COM SPECIFICATION PS-0031
5. SHIPS UNASSEMBLED AND SHIELD SHELL IS PRE-BENT.

UNLESS OTHERWISE SPECIFIED, DIMENSIONS ARE IN INCHES [mm]  OVERALL CABLE LENGTH TOLERANCE: ≤12 [305] = +1 [25] / -0 >12 [305] ≤60 [1524] = +2 [51] / -0 >60 [1524] ≤120 [3048] = +4 [102] / -0 >120 [3048] ≤300 [7620] = +6 [152] / -0 >300 [7620] = +5% / -0  ALL OTHER DIMENSIONAL TOLERANCES: .X = ± .2 [5]      FRACTIONS ± 1/32 .XX = ± .02 [.5]      ANGLES ± 1° .XXX = ± .005 [.13]	APPROVALS DRAWN BY BPUCHASKI CHECKED BY DFRISIELLO APPROVED BY GUITTA DAURO	DATE 03/19/2021 03/19/2021 03/19/2021	 an INFINIT® brand 50 High Street, West Mill, North Andover, MA 01845 USA. Phone: 1.800.341.5266 1.978.682.6936
	THIRD-ANGLE PROJECTION 	CONFIGURATION DETAILS OF UNDIMENSIONED FEATURES MAY VARY  COLOR VARIATIONS MAY OCCUR	CATEGORY <b>TELECOM / MODULAR</b>  PRODUCT DESCRIPTION <b>IX Industrial Plug, 10gig, Category 6a          10 Position, B Key, Solder Type</b>
SIZE <b>A</b>		CAGE CODE <b>43321</b>	ITEM NO. <b>IXP-S-B</b>