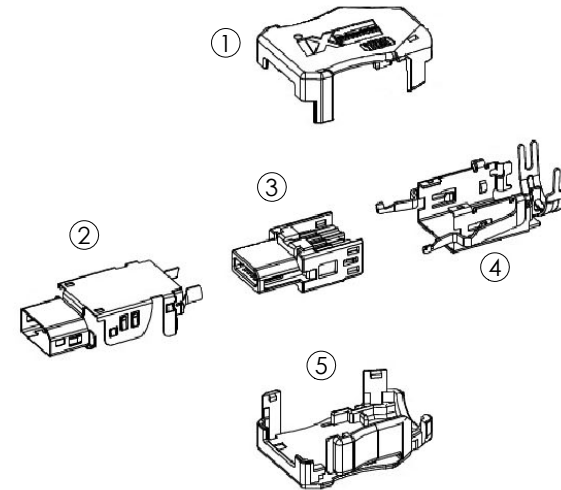
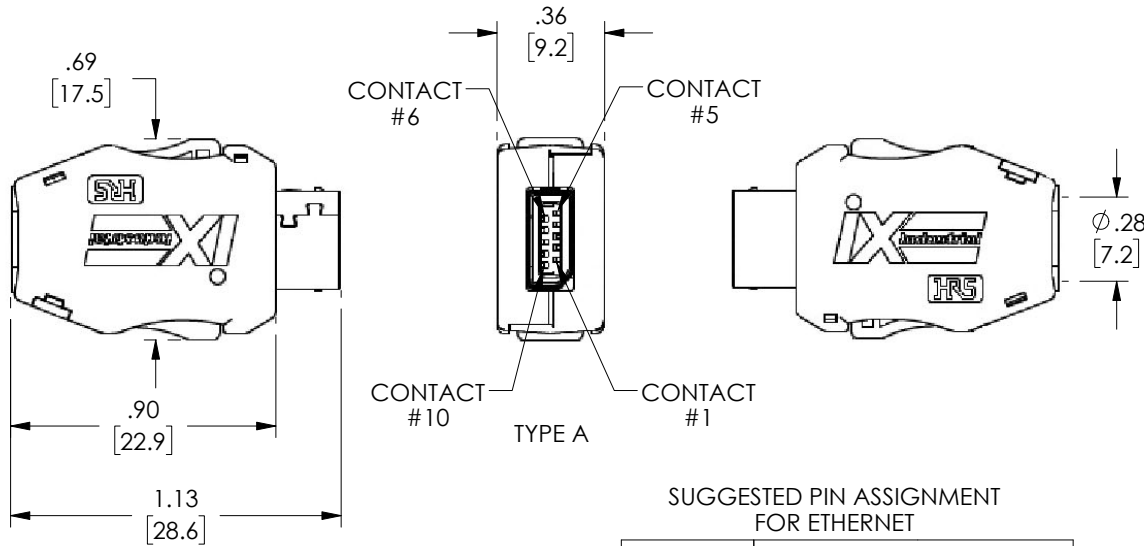


THE INFORMATION CONTAINED IN THIS DRAWING IS THE SOLE PROPERTY OF L-COM, INC. ANY REPRODUCTION IN PART OR WHOLE WITHOUT THE WRITTEN PERMISSION OF L-COM, INC. IS PROHIBITED.

REVISIONS			
REV	DESCRIPTION	DATE	APPROVED
A	INITIAL RELEASE	03/19/2021	GUTTA DAURO



EXPLODED VIEW

SUGGESTED PIN ASSIGNMENT FOR ETHERNET

CONTACT #	SIGNAL	
	10/100 MBIT/S	1/10 GBIT/S
1	TX+	BI_DA+
2	TX-	BI_DA-
3	N.C	N.C
4	N.C	BI_DC+
5	N.C	BI_DC-
6	RX+	BI_DB+
7	RX-	BI_DB-
8	N.C	N.C
9	N.C	BI_DD+
10	N.C	BI_DD-

PART TABLE	
ITEM	DESCRIPTION
1	COVER CASE
2	SHIELD SHELL
3	PLUG UNIT
4	SHIELD CASE
5	COVER CASE


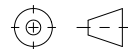
NOTES:

MECHANICAL DATA:

1. CONDUCTOR SIZE: 22AWG - 28AWG
2. INSULATION O.D: ϕ 1.55mm MAX.
3. BRAID SHIELD: TIN PLATING
4. CABLE O.D.: ϕ 6.3-7.2mm

MISCELLANEOUS:

1. NOMINAL VOLTAGE: 50 V AC/ 60 V DC
2. THIS DRAWING SHOWS IX40G-A-10S-CV(7.0)
3. THIS PRODUCT (TYPE A) IS DEFINED FOR 10/100 MBIT/S AND 1/10 GBIT/S ETHERNET COMMUNICATION. PLEASE USE TYPE B FOR ALL OTHER NON ETHERNET APPLICATIONS LIKE SIGNALING, SERIAL OR OTHER INDUSTRIAL BUS COMMUNICATION SYSTEMS.
4. PRODUCT SHALL BE INDIVIDUALLY PACKAGED IN ACCORDANCE WITH L-COM SPECIFICATION PS-0031
5. SHIPS UNASSEMBLED AND SHIELD SHELL IS PRE-BENT.

UNLESS OTHERWISE SPECIFIED, DIMENSIONS ARE IN INCHES [mm] OVERALL CABLE LENGTH TOLERANCE: ≤12 [305] = +1 [25] / -0 >12 [305] ≤60 [1524] = +2 [51] / -0 >60 [1524] ≤120 [3048] = +4 [102] / -0 >120 [3048] ≤300 [7620] = +6 [152] / -0 >300 [7620] = +5% / -0 ALL OTHER DIMENSIONAL TOLERANCES: .X = ± .2 [5] FRACTIONS ± 1/32 .XX = ± .02 [5] ANGLES ± 1° .XXX = ± .005 [13]	APPROVALS	DATE	 50 High Street, West Mill, North Andover, MA 01845 USA. Phone: 1.800.341.5266 1.978.682.6936
	DRAWN BY BPUCHASKI CHECKED BY DFRISIELLO APPROVED BY GUTTA DAURO	03/19/2021 03/19/2021 03/19/2021	
THIRD-ANGLE PROJECTION 	CONFIGURATION DETAILS OF UNDIMENSIONED FEATURES MAY VARY	PRODUCT DESCRIPTION IX Industrial Plug, 10gig, Category 6a 10 Position, A Key, Solder Type	SCALE: NONE CAD FILE: IXP-S-A.SLDDRW SHEET 1 OF 1
	COLOR VARIATIONS MAY OCCUR	SIZE A CAGE CODE 43321 ITEM NO. IXP-S-A	REV. A