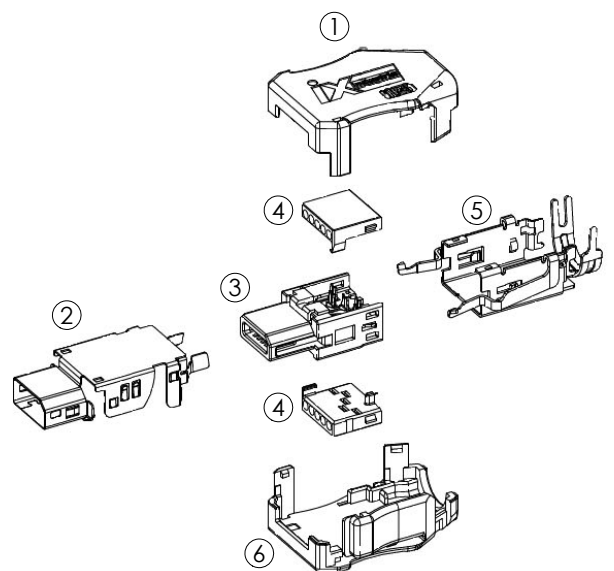
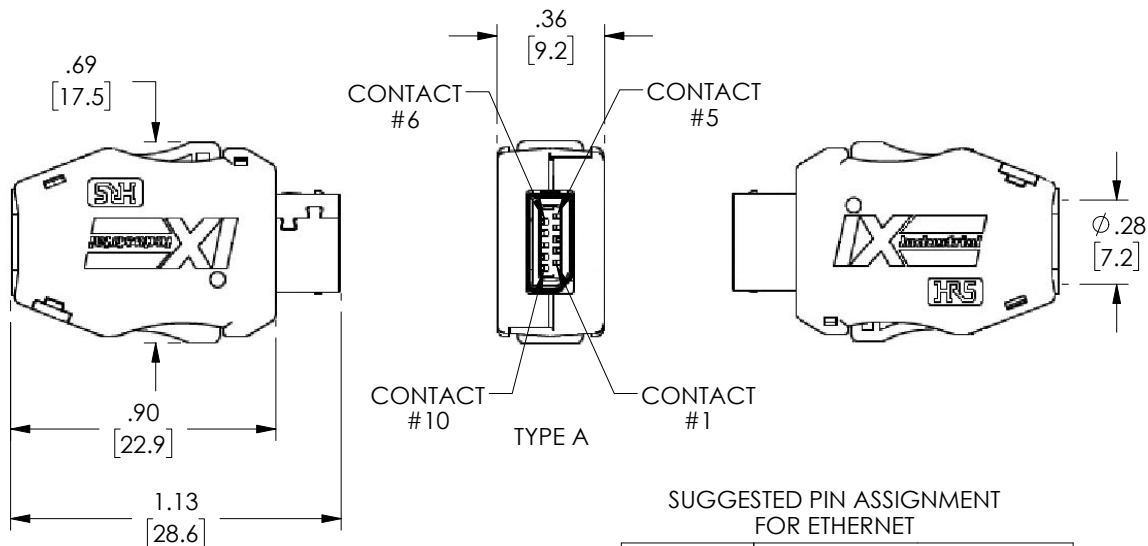


THE INFORMATION CONTAINED IN THIS DRAWING IS THE SOLE PROPERTY OF L-COM, INC. ANY REPRODUCTION IN PART OR WHOLE WITHOUT THE WRITTEN PERMISSION OF L-COM, INC. IS PROHIBITED.

REVISIONS			
REV	DESCRIPTION	DATE	APPROVED
A	INITIAL RELEASE	03/19/2021	GUTTADAURO



EXPLODED VIEW

SUGGESTED PIN ASSIGNMENT FOR ETHERNET

CONTACT #	SIGNAL	
	10/100 MBIT/S	1/10 GBIT/S
1	TX+	BI_DA+
2	TX-	BI_DA-
3	N.C	N.C
4	N.C	BI_DC+
5	N.C	BI_DC-
6	RX+	BI_DB+
7	RX-	BI_DB-
8	N.C	N.C
9	N.C	BI_DD+
10	N.C	BI_DD-

PART TABLE	
ITEM	DESCRIPTION
1	COVER CASE
2	SHIELD SHELL
3	PLUG UNIT
4	GUIDE (2X)
5	SHIELD CASE
6	COVER CASE

**NOTES:**

**MECHANICAL DATA:**

- CONDUCTOR SIZE: 28AWG - 26AWG
- 7 STRANDED, ANNEALED COPPER WIRE
- INSULATION O.D.:  $\phi$ 0.95 TO 1.05mm
- BRAID SHIELD: TIN PLATING
- CABLE O.D.:  $\phi$ 6.3-7.2mm

**MISCELLANEOUS:**

- NOMINAL VOLTAGE: 50 V AC/ 60 V DC
- THIS DRAWING SHOWS IX30G-A-10S-CV(7,0)
- THIS PRODUCT (TYPE A) IS DEFINED FOR 10/100 MBIT/S AND 1/10 GBIT/S ETHERNET COMMUNICATION. PLEASE USE TYPE B FOR ALL OTHER NON ETHERNET APPLICATIONS LIKE SIGNALING, SERIAL OR OTHER INDUSTRIAL BUS COMMUNICATION SYSTEMS.
- PRODUCT SHALL BE INDIVIDUALLY PACKAGED IN ACCORDANCE WITH L-COM SPECIFICATION PS-0031
- SHIPS UNASSEMBLED AND SHIELD SHELL IS PRE-BENT.

UNLESS OTHERWISE SPECIFIED, DIMENSIONS ARE IN INCHES [mm] OVERALL CABLE LENGTH TOLERANCE: ≤12 [305] = +1 [25] / -0 >12 [305] ≤60 [1524] = +2 [51] / -0 >60 [1524] ≤120 [3048] = +4 [102] / -0 >120 [3048] ≤300 [7620] = +6 [152] / -0 >300 [7620] = +5% / -0 ALL OTHER DIMENSIONAL TOLERANCES: .X = ± .2 [5]      FRACTIONS ± 1/32 .XX = ± .02 [.5]      ANGLES ± 1° .XXX = ± .005 [.13]	APPROVALS DRAWN BY: BPUCHASKI CHECKED BY: DFRISIELLO APPROVED BY: GUITA DAURO	DATE 03/19/2021 03/19/2021 03/19/2021	 an INFINIT® brand 50 High Street, West Mill, North Andover, MA 01845 USA. Phone: 1.800.341.5266 1.978.682.6936	
	THIRD-ANGLE PROJECTION 	CONFIGURATION DETAILS OF UNDIMENSIONED FEATURES MAY VARY COLOR VARIATIONS MAY OCCUR		CATEGORY <b>TELECOM / MODULAR</b>
SCALE: NONE		CAGE CODE <b>A 43321</b>	ITEM NO. <b>IXP-C2628-A</b>	REV. <b>A</b>
SHEET 1 OF 1		CAD FILE: IXP-C2628-A.SLDDRW		