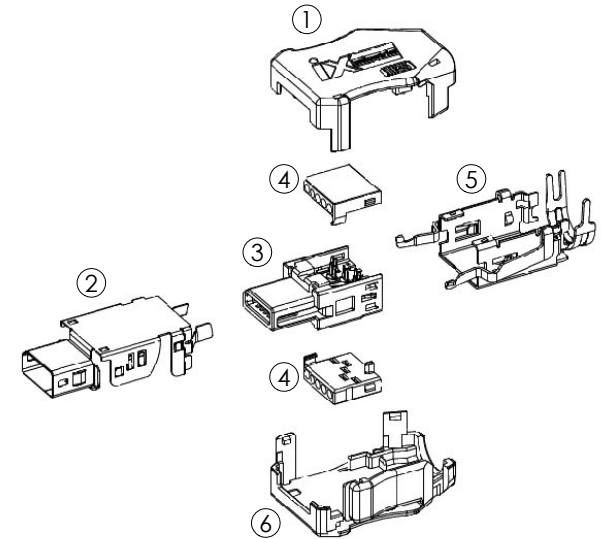
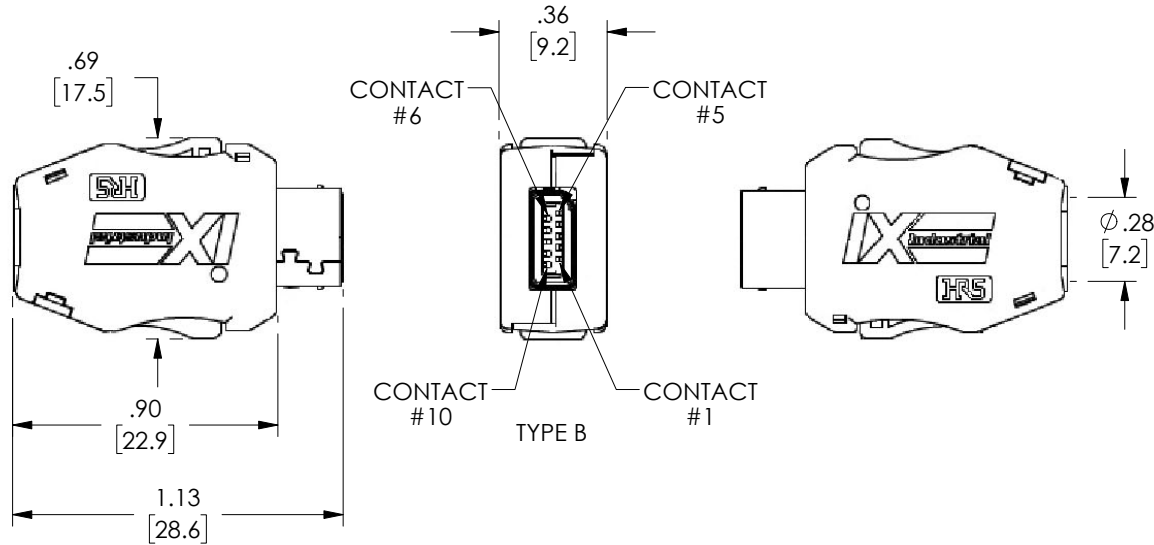


THE INFORMATION CONTAINED IN THIS DRAWING IS THE SOLE PROPERTY OF L-COM, INC. ANY REPRODUCTION IN PART OR WHOLE WITHOUT THE WRITTEN PERMISSION OF L-COM, INC. IS PROHIBITED.

REVISIONS			
REV	DESCRIPTION	DATE	APPROVED
A	INITIAL RELEASE	03/19/2021	GUTTA DAURO



EXPLODED VIEW

PART TABLE	
ITEM	DESCRIPTION
1	COVER CASE
2	SHIELD SHELL
3	PLUG UNIT
4	GUIDE (2X)
5	SHIELD CASE
6	COVER CASE


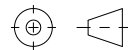
**NOTES:**

**MECHANICAL DATA:**

- CONDUCTOR SIZE: 24AWG - 26AWG  
7 STRANDED, ANNEALED COPPER WIRE
- INSULATION O.D.:  $\phi$ 1.1 TO 1.25mm
- BRAID SHIELD: TIN PLATING
- CABLE O.D.:  $\phi$ 6.3-7.2mm

**MISCELLANEOUS:**

- NOMINAL VOLTAGE: 50 V AC/ 60 V DC
- THIS DRAWING SHOWS IX31G-B-10S-CV(7.0)
- THIS PRODUCT (TYPE B) IS USED FOR NON ETHERNET APPLICATIONS LIKE SIGNALING, SERIAL OR OTHER INDUSTRIAL BUS COMMUNICATION SYSTEMS. PLEASE USE TYPE A FOR 10/100 MBIT/S AND 1/10 GBIT/S ETHERNET COMMUNICATION.
- PRODUCT SHALL BE INDIVIDUALLY PACKAGED IN ACCORDANCE WITH L-COM SPECIFICATION PS-0031
- SHIPS UNASSEMBLED AND SHIELD SHELL IS PRE-BENT.

UNLESS OTHERWISE SPECIFIED, DIMENSIONS ARE IN INCHES [mm]  OVERALL CABLE LENGTH TOLERANCE: $\leq 12$ [305] = +1 [25] / -0 $> 12$ [305] $\leq 60$ [1524] = +2 [51] / -0 $> 60$ [1524] $\leq 120$ [3048] = +4 [102] / -0 $> 120$ [3048] $\leq 300$ [7620] = +6 [152] / -0 $> 300$ [7620] = +5% / -0  ALL OTHER DIMENSIONAL TOLERANCES: .X = $\pm$ .2 [5]      FRACTIONS $\pm$ 1/32 .XX = $\pm$ .02 [5]      ANGLES $\pm$ 1° .XXX = $\pm$ .005 [13]	APPROVALS DRAWN BY BPUCHASKI CHECKED BY DFRISIELLO APPROVED BY GUITA DAURO	DATE 03/19/2021  03/19/2021  03/19/2021	 an INFINIT® brand  50 High Street, West Mill, North Andover, MA 01845 USA. Phone: 1.800.341.5266 1.978.682.6936	
	THIRD-ANGLE PROJECTION 	CONFIGURATION DETAILS OF UNDIMENSIONED FEATURES MAY VARY  COLOR VARIATIONS MAY OCCUR		CATEGORY <b>TELECOM / MODULAR</b>  PRODUCT DESCRIPTION IX Industrial Plug, 10gig, Category 6a 10 Position B Key, IDC Crimp Type, 24-26AWG
SIZE <b>A</b>		CAGE CODE <b>43321</b>	ITEM NO. <b>IXP-C2426-B</b>	REV. <b>A</b>