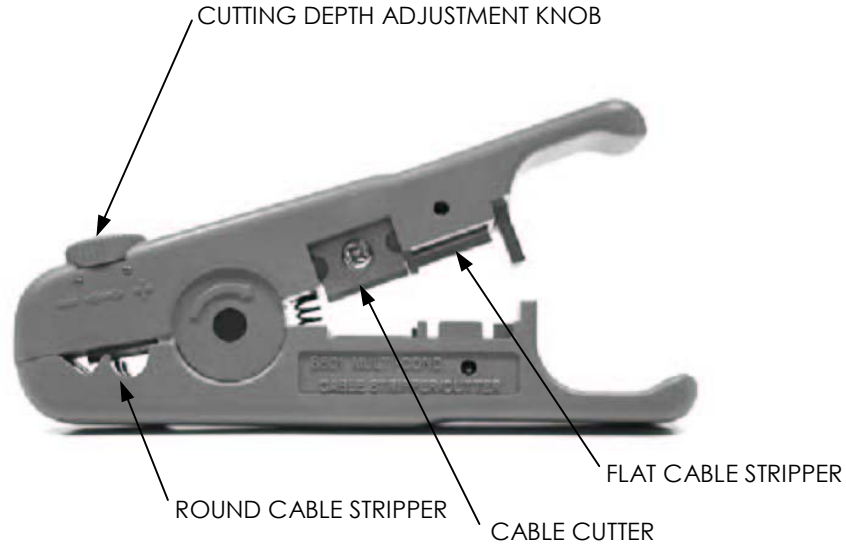


THE INFORMATION CONTAINED IN THIS DRAWING IS THE SOLE PROPERTY OF L-COM, INC. ANY REPRODUCTION IN PART OR WHOLE WITHOUT THE WRITTEN PERMISSION OF L-COM, INC. IS PROHIBITED.

REVISIONS			
REV	DESCRIPTION	DATE	APPROVAL
A	DRAWING REPLACES HTS501-OD1	10/22/14	D.FRISIELLO



SPECIFICATIONS:

HOUSING MATERIAL: ABS
 OVERALL LENGTH: 4 3/8"

STRIPPING RANGE
 FLAT CABLE: UP TO 10 CONDUCTOR
 ROUND CABLE: 0.125" TO .375"

COMPONENT SHALL BE INDIVIDUALLY PACKAGED IN ACCORDANCE WITH L-COM SPECIFICATION PS-0031.

REGULATORY COMPLIANCE:
 CE2011/65/EU(RoHS DIRECTIVE)

UNLESS OTHERWISE SPECIFIED, DIMENSIONS ARE IN INCHES [mm] OVERALL CABLE LENGTH TOLERANCE: ≤ 12 [305] = +1 [25] / -0 >12 [305] - 60 [1524] = +2 [51] / -0 >60 [1524] - 120 [3048] = +4 [102] / -0 >120 [3048] - 300 [7620] = +6 [152] / -0 >300 [7620] = +5% / -0% ALL OTHER DIMENSIONAL TOLERANCES: .X = .2 [5.08] .XX = .02 [51] .XXX = .005 [13]	APPROVALS DRAWN BY D. PARHAM CHECKED BY T. CLARK APPROVED BY C. MCCORMICK	DATE 6/4/2004 6/4/2004 6/4/2004			45 BEECHWOOD DRIVE NORTH ANDOVER, MA 01845
	PROJECTION 	CONFIGURATION DETAILS OF UNDIMENSIONED FEATURES MAY VARY COLOR VARIATIONS MAY OCCUR	CATEGORY TELECOM/MODULAR	PRODUCT DESCRIPTION JACKET STRIPPER UTP/STP CBL	
SIZE A		FSCM NO. 43321	DWG. NO. HTS501	SCALE: 1:1 CAD FILE: HTS501.SLDDRW SHEET 1 OF 1	