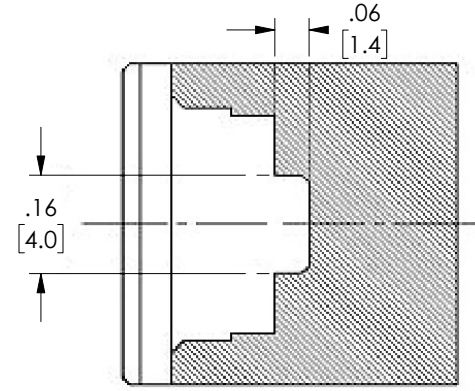
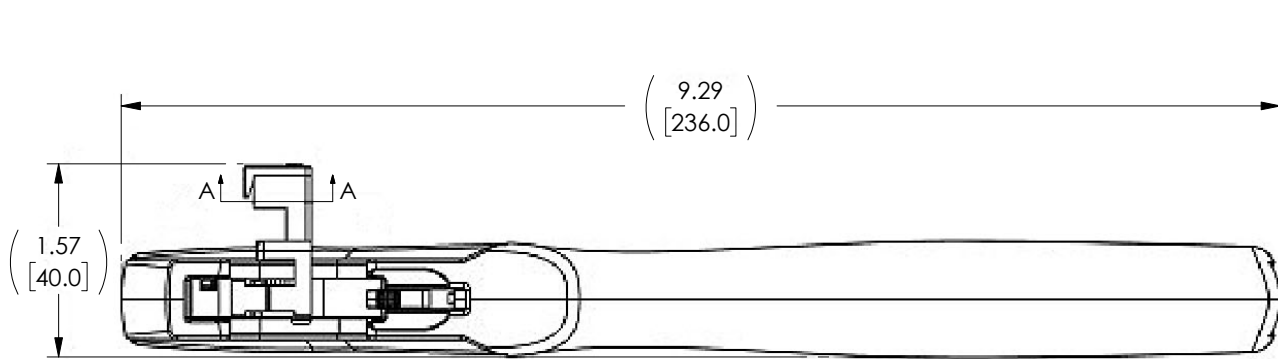
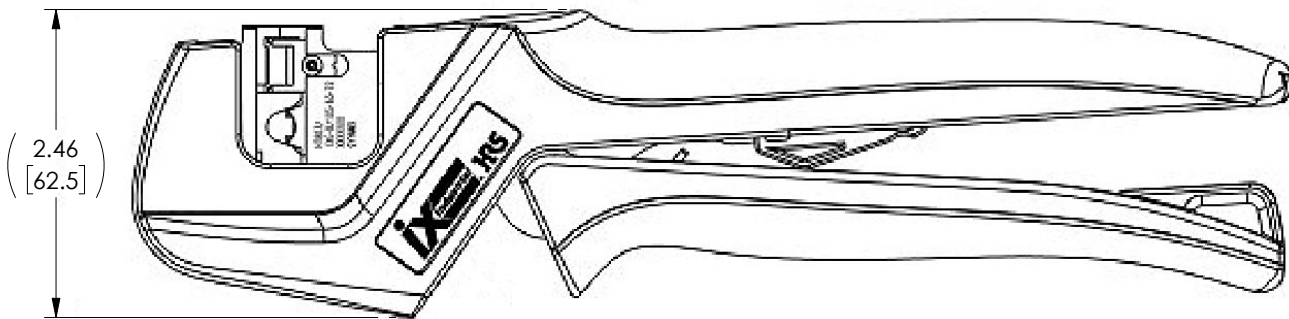


THE INFORMATION CONTAINED IN THIS DRAWING IS THE SOLE PROPERTY OF L-COM, INC. ANY REPRODUCTION IN PART OR WHOLE WITHOUT THE WRITTEN PERMISSION OF L-COM, INC. IS PROHIBITED.

REVISIONS			
REV	DESCRIPTION	DATE	APPROVED
A	INITIAL RELEASE	03/19/2021	GUTTA DAURO



SECTION A-A  
NTS



**NOTES:**

1. THIS DRAWING SHOWS HT803/1XG-8/10S-63-72
2. PRODUCT SHALL BE INDIVIDUALLY PACKAGED IN ACCORDANCE WITH L-COM SPECIFICATION PS-0031

UNLESS OTHERWISE SPECIFIED, DIMENSIONS ARE IN INCHES [mm] OVERALL CABLE LENGTH TOLERANCE: ≤12 [305] = +1 [25] / -0 >12 [305] ≤60 [1524] = +2 [51] / -0 >60 [1524] ≤120 [3048] = +4 [102] / -0 >120 [3048] ≤300 [7620] = +6 [152] / -0 >300 [7620] = +5% / -0 ALL OTHER DIMENSIONAL TOLERANCES: .X = ± .2 [5]      FRACTIONS ± 1/32 .XX = ± .02 [.5]      ANGLES ± 1° .XXX = ± .005 [.13]	APPROVALS DRAWN BY BPUCHASKI CHECKED BY DFRISIELLO APPROVED BY GUTTA DAURO	DATE 03/19/2021 03/19/2021 03/19/2021		50 High Street, West Mill, North Andover, MA 01845 USA. Phone: 1.800.341.5266 1.978.682.6936
	CONFIGURATION DETAILS OF UNDIMENSIONED FEATURES MAY VARY COLOR VARIATIONS MAY OCCUR	CATEGORY <b>TELECOM / MODULAR</b>		PRODUCT DESCRIPTION <b>IX Industrial Crimp Tool for IDC IXP-C Series Plugs</b>
THIRD-ANGLE PROJECTION 	SIZE <b>A</b> CAGE CODE <b>43321</b> SCALE: NONE	ITEM NO. <b>HT-IXP</b> CAD FILE: HT-IXP.SLDDRW	REV. <b>A</b>	SHEET 1 OF 1