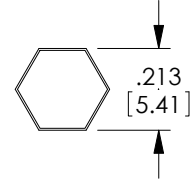
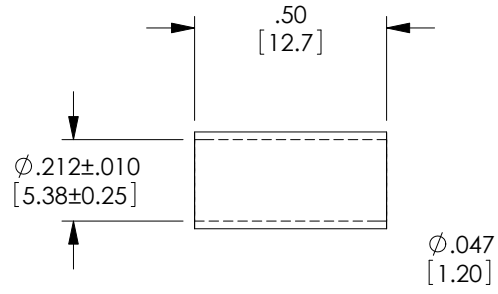
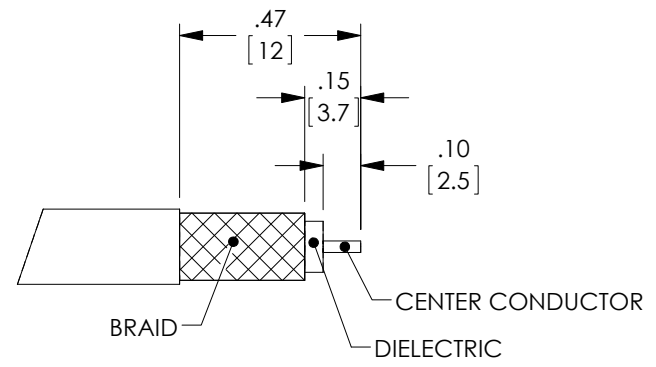
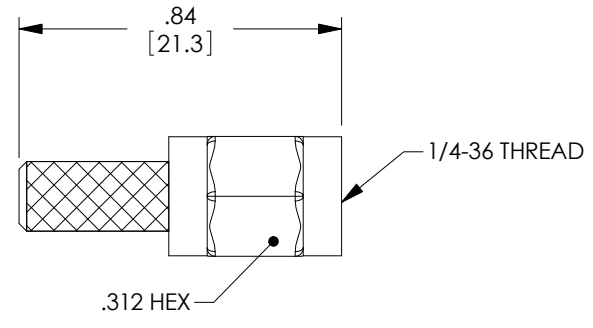


THE INFORMATION CONTAINED IN THIS DRAWING IS THE SOLE PROPERTY OF L-COM, INC. ANY REPRODUCTION IN PART OR WHOLE WITHOUT THE WRITTEN PERMISSION OF L-COM, INC. IS PROHIBITED.

REVISIONS			
REV	DESCRIPTION	DATE	APPROVED
A	DRAWING REPLACES HPC202-OD1	10/7/14	D.FRISIELLO



RECOMMENDED FERRULE CRIMP SIZE
*CENTER PIN: SOLDER



NOTES:

MATERIALS:
BODY: BRASS
FERRULE: BRASS
PIN: BRASS
INSULATOR: PTFE

FINISH:
BODY: GOLD PLATE, 3μ INCHES, MIN.
FERRULE: GOLD PLATE, 3μ INCHES, MIN.
PIN: GOLD PLATE, 30μ INCHES, MIN.

ALL DIMENSIONS ARE FOR REFERENCE ONLY.

APPLICATION: LMR200 CABLE ASSEMBLIES.
IMPEDANCE: 50 OHM

CONNECTOR SHALL BE INDIVIDUALLY PACKAGED IN ACCORDANCE WITH L-COM SPECIFICATION PS-0031.

REGULATORY COMPLIANCE:
CE2011/65/EU (RoHS DIRECTIVE)

UNLESS OTHERWISE SPECIFIED, DIMENSIONS ARE IN INCHES [mm] OVERALL CABLE LENGTH TOLERANCE: ≤12 [305] = +1 [25] / -0 >12 [305] ≤60 [1524] = +2 [51] / -0 >60 [1524] ≤120 [3048] = +4 [102] / -0 >120 [3048] ≤300 [7620] = +6 [152] / -0 >300 [7620] = +5% / -0% ALL OTHER DIMENSIONAL TOLERANCES: .X = ± .2 [5.08] .XX = ± .02 [51] .XXX = ± .005 [1.27]	APPROVALS DRAWN BY C.MCCORMICK	DATE 11/29/2004		45 BEECHWOOD DRIVE NORTH ANDOVER, MA 01845	
	CHECKED BY D.PARHAM APPROVED BY R.CARRICK	11/29/2004 11/29/2004		CATEGORY COAXIAL	
	CONFIGURATION DETAILS OF UNDIMENSIONED FEATURES MAY VARY	PRODUCT DESCRIPTION CONN SMA (RP) M LMR200 CRIMP GOLD			
	PROJECTION 	COLOR VARIATIONS MAY OCCUR	SIZE A	FSCM NO. 43321	DWG. NO. HPC202