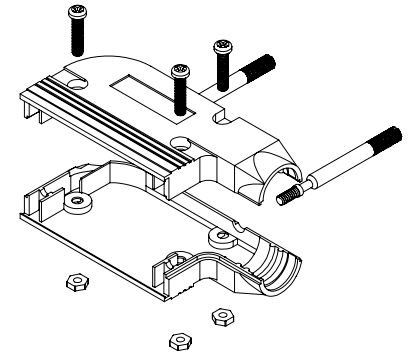
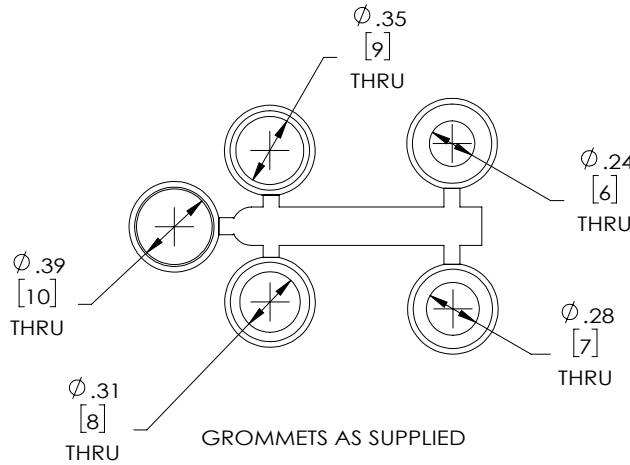
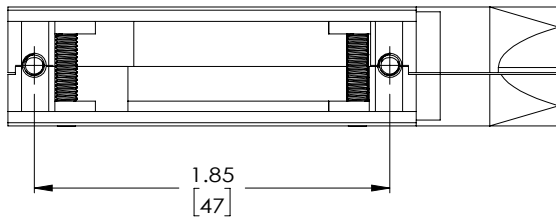
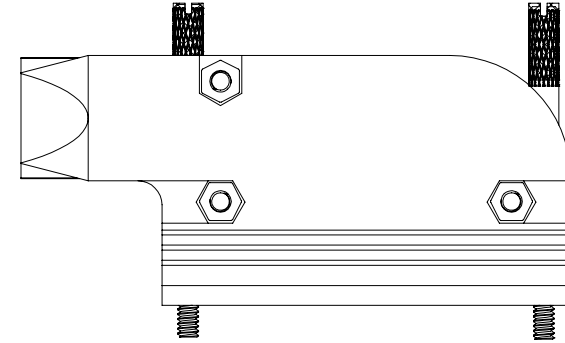
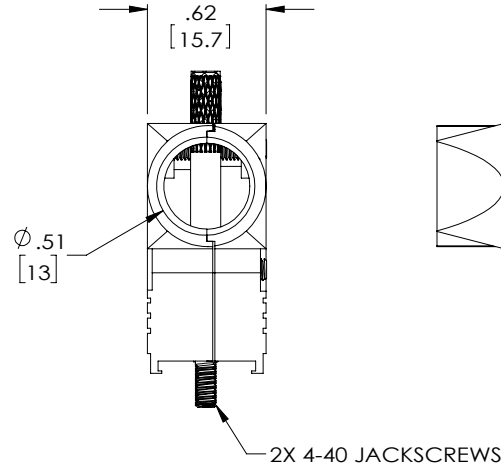
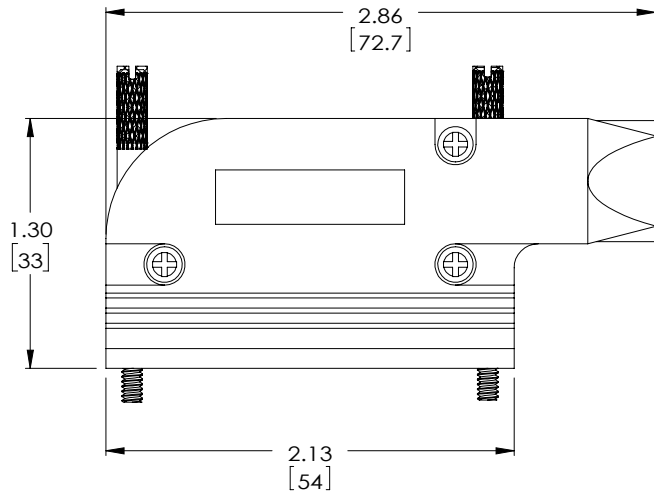


THE INFORMATION CONTAINED IN THIS DRAWING IS THE SOLE PROPERTY OF L-COM, INC. ANY REPRODUCTION IN PART OR WHOLE WITHOUT THE WRITTEN PERMISSION OF L-COM, INC. IS PROHIBITED.

REVISION					
ZONE	REV	DESCRIPTION	DATE	CHANGED BY	APPROVED
	A	INITIAL RELEASE	09/11/2023	SLI	WLI



**NOTES:**

**MATERIAL:**


HOOD: ZINC ALLOY  
 JACKSCREWS: STEEL  
 ASSEMBLY HARDWARE: STEEL  
 STRAIN RELIEF GROMMETS: TPE (BLACK)

**FINISH:**

HOOD: NICKEL PLATED, MATTE FINISH ON MAJOR SURFACES  
 JACKSCREWS: NICKEL PLATED  
 ASSEMBLY SCREWS: NICKEL PLATED

**MISCELLANEOUS:**

INTENDED FOR USE WITH 25-PIN STANDARD AND 44-PIN HIGH DENSITY D-SUBMINIATURE CONNECTORS.  
 HOOD KIT SHALL BE INDIVIDUALLY PACKAGED IN ACCORDANCE WITH L-COM SPECIFICATION PS-0031.

UNLESS OTHERWISE SPECIFIED, DIMENSIONS ARE IN INCHES [mm] OVERALL CABLE LENGTH TOLERANCES: ≤12 [305] = +1 [25] / -0 >12 [305] ≤60 [1524] = +2 [51] / -0 >60 [1524] ≤120 [3048] = +4 [102] / -0 >120 [3048] ≤300 [7620] = +6 [152] / -0 >300 [7620] = +5% / -0 ALL OTHER DIMENSIONAL TOLERANCES: .X = ± .2 [5]   FRACTIONS ± 1/32 .XX = ± .02 [5]   ANGLES ± 1° .XXX = ± .005 [13]	APPROVALS	DATE	 50 High Street, West Mill, North Andover, MA 01845 USA. Phone: 1.800.341.5266 1.978.682.6936
	DRAWN BY SLI	07/20/2023	
	CHECKED BY WLI	07/20/2023	PRODUCT DESCRIPTION <b>HOOD DB25 METAL RIGHT ANGLE</b>
	APPROVED BY WLI	07/20/2023	
THIRD-ANGLE PROJECTION	CONFIGURATION DETAILS OF UNDIMENSIONED FEATURES MAY VARY	COLOR VARIATIONS MAY OCCUR	SCALE: NONE   CAD FILE: HKDB25AMRA.SLDDRW   SHEET 1 OF 1