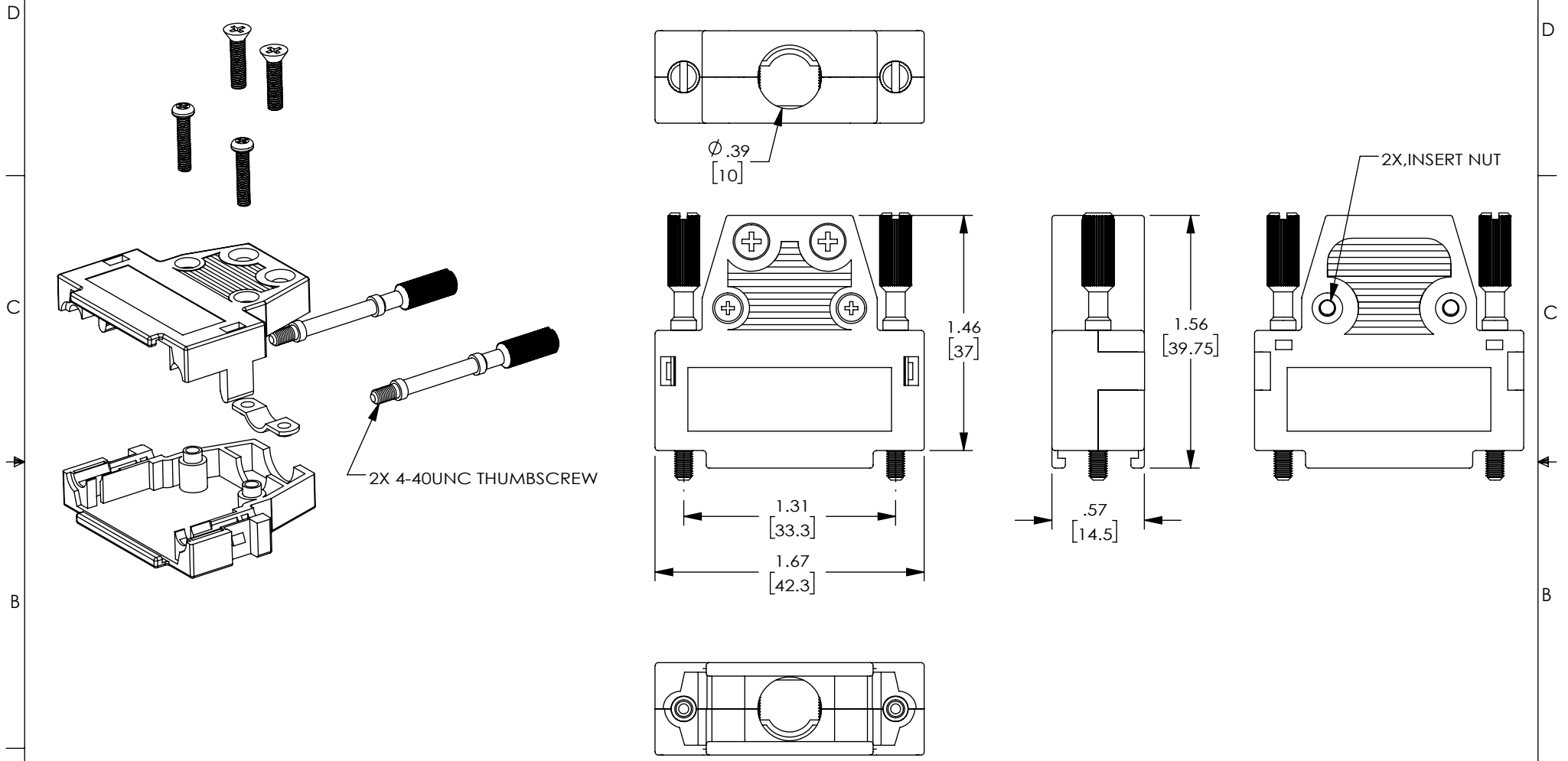


THE INFORMATION CONTAINED IN THIS DRAWING IS THE SOLE PROPERTY OF L-COM, INC. ANY REPRODUCTION IN PART OR WHOLE WITHOUT THE WRITTEN PERMISSION OF L-COM, INC. IS PROHIBITED.

REVISION					
ZONE	REV	DESCRIPTION	DATE	CHANGED BY	APPROVED
	A	INITIAL RELEASE	09/11/2023	SLI	WLI


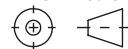


2X 4-40UNC THUMBSCREW

2X,INSERT NUT

NOTES:

- MATERIAL
HOOD: ABS, UL94 V-0; FINISH: CHROME PLATED
HARDWARE: STEEL; FINISH: NICKEL PLATED
- INTENDED FOR USE WITH 15-PIN STANDARD AND 26-PIN HIGH DENSITY D-SUBMINIATURE CONNECTORS.
- HOOD KIT SHALL BE INDIVIDUALLY PACKAGED IN ACCORDANCE WITH L-COM SPECIFICATION PS-0031.

UNLESS OTHERWISE SPECIFIED, DIMENSIONS ARE IN INCHES [mm] OVERALL CABLE LENGTH TOLERANCE: ≤12 [305] = +1 [25] / -0 >12 [305] ≤60 [1524] = +2 [51] / -0 >60 [1524] ≤120 [3048] = +4 [102] / -0 >120 [3048] ≤300 [7620] = +6 [152] / -0 >300 [7620] = +5% / -0 ALL OTHER DIMENSIONAL TOLERANCES: .X = ± .2 [5] FRACTIONS ± 1/32 .XX = ± .02 [5] ANGLES ± 1° .XXX = ± .005 [13]	APPROVALS	DATE	 50 High Street, West Mill, North Andover, MA 01845 USA. Phone: 1.800.341.5266 1.978.682.6936	
	DRAWN BY SLI	08/31/2023		
	CHECKED BY WLI	08/31/2023		
	APPROVED BY WLI	08/31/2023		
THIRD-ANGLE PROJECTION	CONFIGURATION DETAILS OF UNDIMENSIONED FEATURES MAY VARY COLOR VARIATIONS MAY OCCUR		CATEGORY D-SUBMINIATURE PRODUCT DESCRIPTION HOOD DB15 MTLIZED LOW PROFILE	
	SIZE A	CAGE CODE 43321	ITEM NO. HKDB15MCLP	REV. A
SCALE: NONE		CAD FILE: HKDB15MCLP.SLDDRW		SHEET 1 OF 1