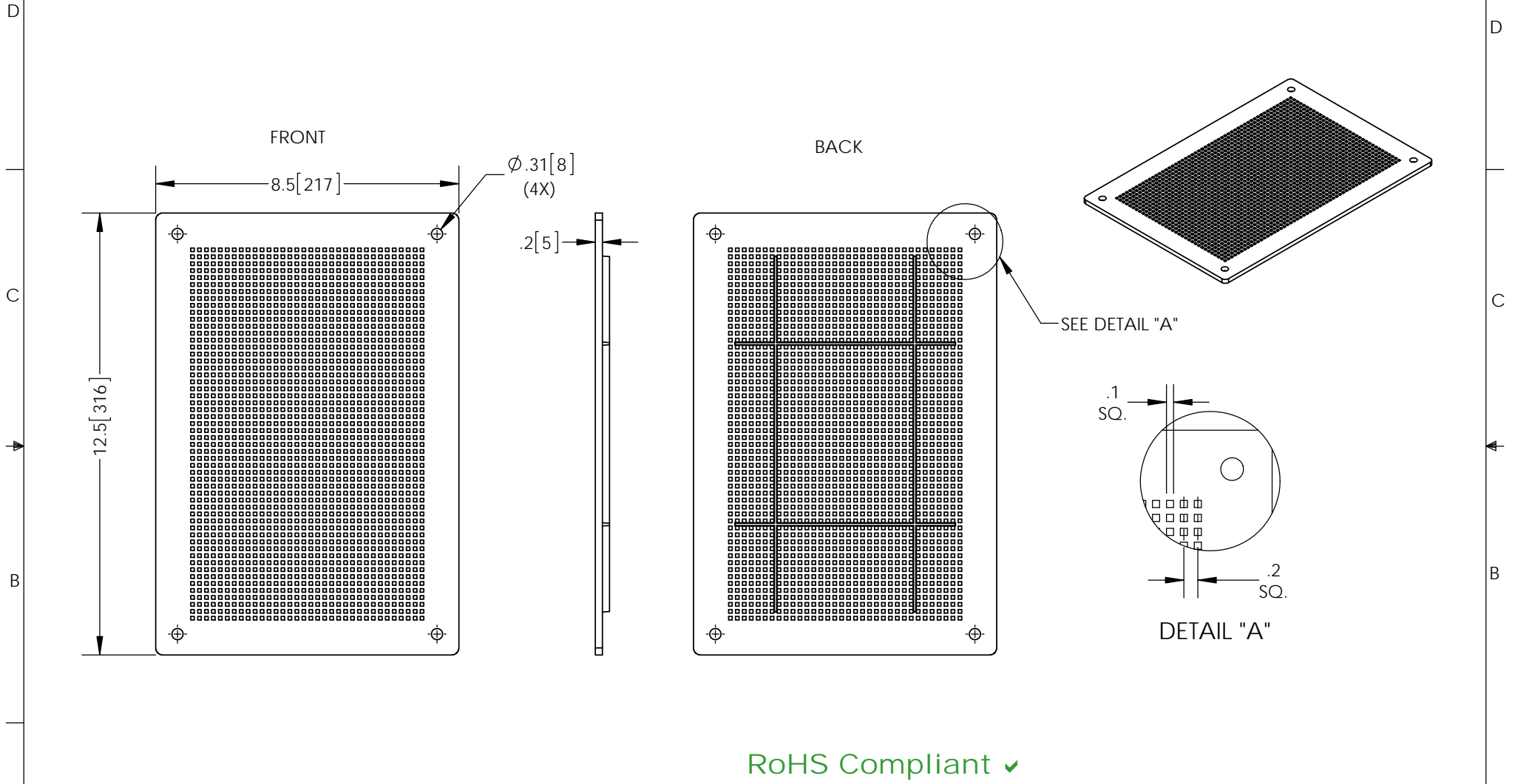


THE INFORMATION CONTAINED IN THIS DRAWING IS THE SOLE PROPERTY OF L-COM, INC. ANY REPRODUCTION IN PART OR WHOLE WITHOUT THE WRITTEN PERMISSION OF L-COM, INC. IS PROHIBITED.

REVISIONS			
REV	DESCRIPTION	DATE	APPROVED
A	INITIAL RELEASE	2/6/13	D.GRIFFIN
B	ECN 6689 ADD MATERIAL NOTE	02/18/13	B.PUCHASKI



NOTES:  
 MATERIAL: ABS  
 PACKAGE AS PER L-COM SPEC PKG-00012  
 - ALL DIMENSIONS FOR REFERENCE ONLY -

RoHS Compliant ✓

UNLESS OTHERWISE SPECIFIED, DIMENSIONS ARE IN INCHES [mm]  DIMENSIONAL TOLERANCES: .X = ±.1 .XX = ±.01 .XXX = ±.005  ANGULAR TOLERANCES: ALL = ± 1°  PROJECTION 	APPROVALS	DATE		45 BEECHWOOD DRIVE NORTH ANDOVER, MA 01845	
	DRAWN BY B.PUCHASKI	02/04/13			
	CHECKED BY P.PESA	02/04/13	CATEGORY	ENCLOSURES	
	APPROVED BY P.PESA	02/04/13	PRODUCT DESCRIPTION		NBE14 UNIVERSAL MOUNTING PLATE
CONFIGURATION DETAILS OF UNDIMENSIONED FEATURES MAY VARY	COLOR VARIATIONS MAY OCCUR	SIZE <b>A</b>	FSCM NO. <b>43321</b>	DWG. NO. <b>HGX-NPLATE32</b>	REV. <b>B</b>
SCALE: NONE		CAD FILE: HGX-NPLATE32.SLDDRW		SHEET 1 OF 1	