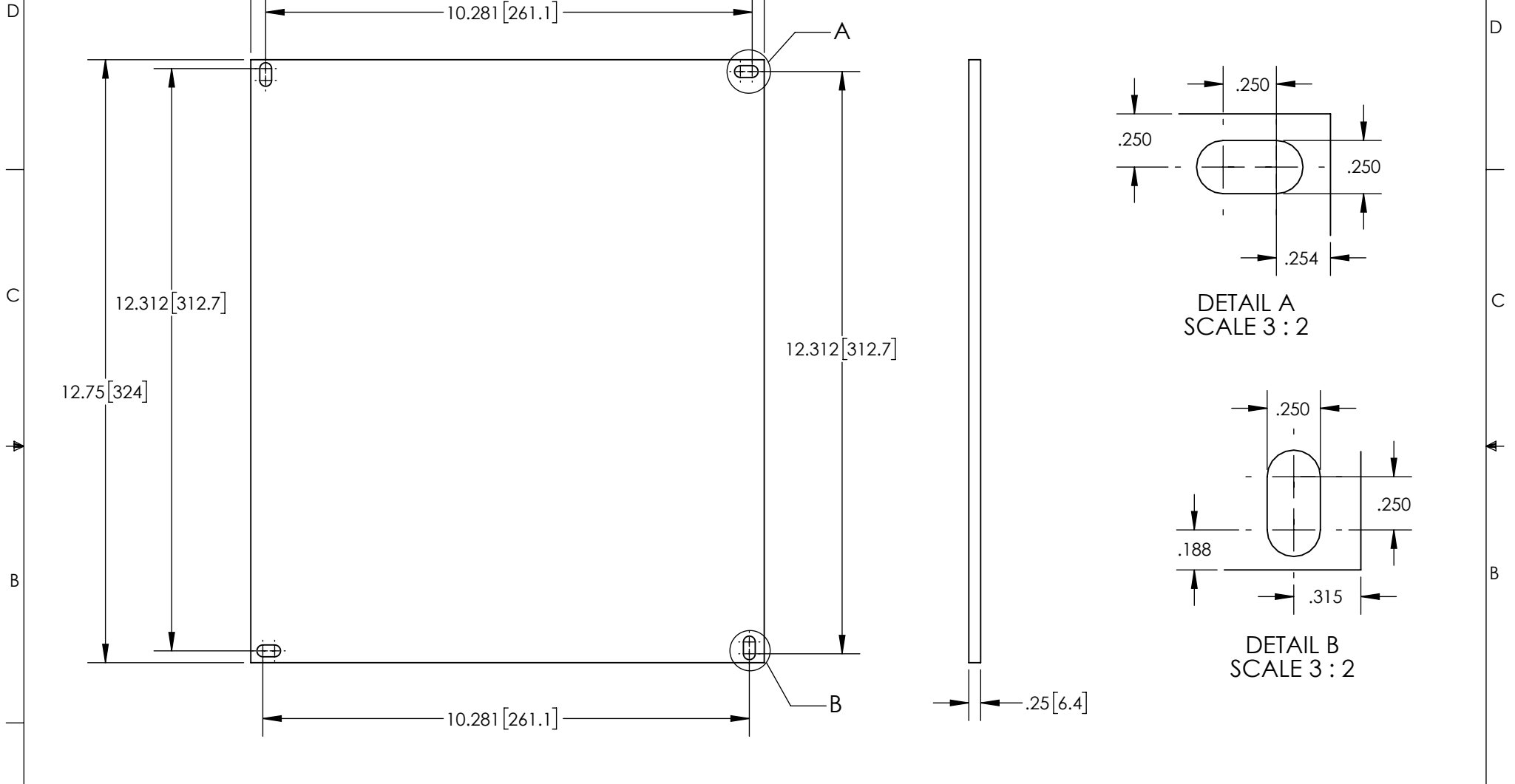



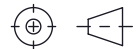
THE INFORMATION CONTAINED IN THIS DRAWING IS THE SOLE PROPERTY OF L-COM, INC. ANY REPRODUCTION IN PART OR WHOLE WITHOUT THE WRITTEN PERMISSION OF L-COM, INC. IS PROHIBITED.

REVISIONS			
REV	DESCRIPTION	DATE	APPROVED
C	ECN 12081: UPDATE OUTER MOUNTING HOLES	9/12/2022	MMARTINEZ



Note:  
 1- PACKAGE IN ACCORDANCE WITH L-COM SPECIFICATION PS-0014  
 - ALL DIMENSIONS FOR REFERENCE ONLY -

**REGULATORY COMPLIANCE:**  
 EU RoHS DIRECTIVE (MOST RECENT RELEASED VERSION)

UNLESS OTHERWISE SPECIFIED, DIMENSIONS ARE IN INCHES [mm] OVERALL CABLE LENGTH TOLERANCE: ≤12 [305] = +1 [25] / -0 >12 [305] ≤60 [1524] = +2 [51] / -0 >60 [1524] ≤120 [3048] = +4 [102] / -0 >120 [3048] ≤300 [7620] = +6 [152] / -0 >300 [7620] = +5% / -0 ALL OTHER DIMENSIONAL TOLERANCES: .X = ± .2 [5]   FRACTIONS ± 1/32 .XX = ± .02 [5]   ANGLES ± 1° .XXX = ± .005 [13]	APPROVALS DRAWN BY B.PUCHASKI	DATE 08/18/11	 50 High Street, West Mill, North Andover, MA 01845 USA. Phone: 1.800.341.5266 1.978.682.6936
	CHECKED BY M.MARTINEZ	DATE 08/18/11	
THIRD-ANGLE PROJECTION 	APPROVED BY M.MARTINEZ	DATE 08/18/11	PRODUCT DESCRIPTION MOUNTING PLATE BLANK NON-METALIC FOR 14 X 12 NEMA ENCLOSURE
CONFIGURATION DETAILS OF UNDIMENSIONED FEATURES MAY VARY	COLOR VARIATIONS MAY OCCUR	SIZE <b>A</b>	CAGE CODE <b>43321</b>
SCALE: NONE	CAD FILE: HGX-NPLATE08.SLDDRW	ITEM NO. HGX-NPLATE08	REV. <b>C</b>