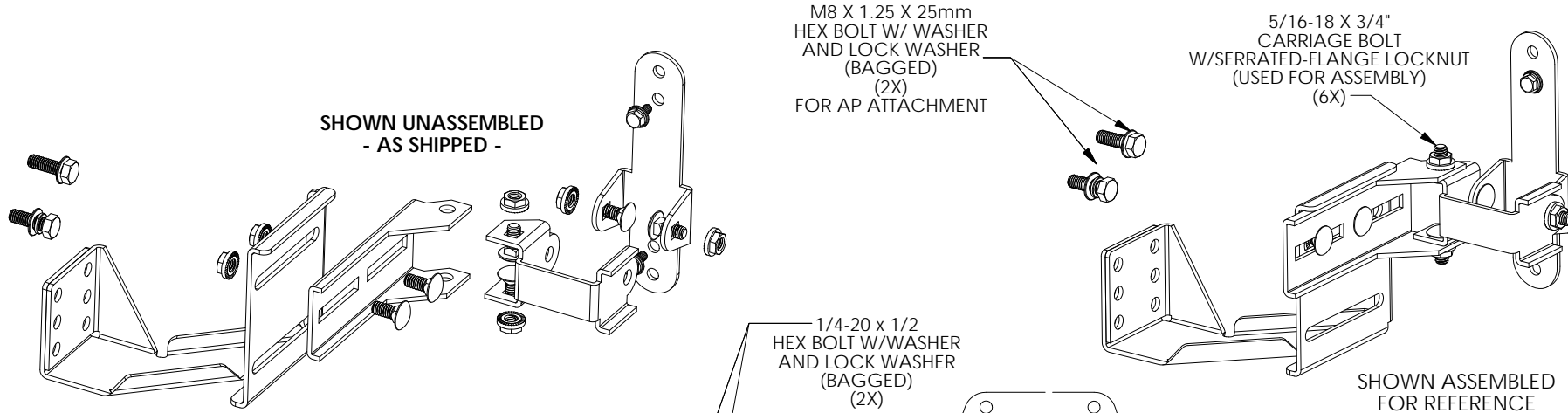


THE INFORMATION CONTAINED IN THIS DRAWING IS THE SOLE PROPERTY OF L-COM, INC. ANY REPRODUCTION IN PART OR WHOLE WITHOUT THE WRITTEN PERMISSION OF L-COM, INC. IS PROHIBITED.

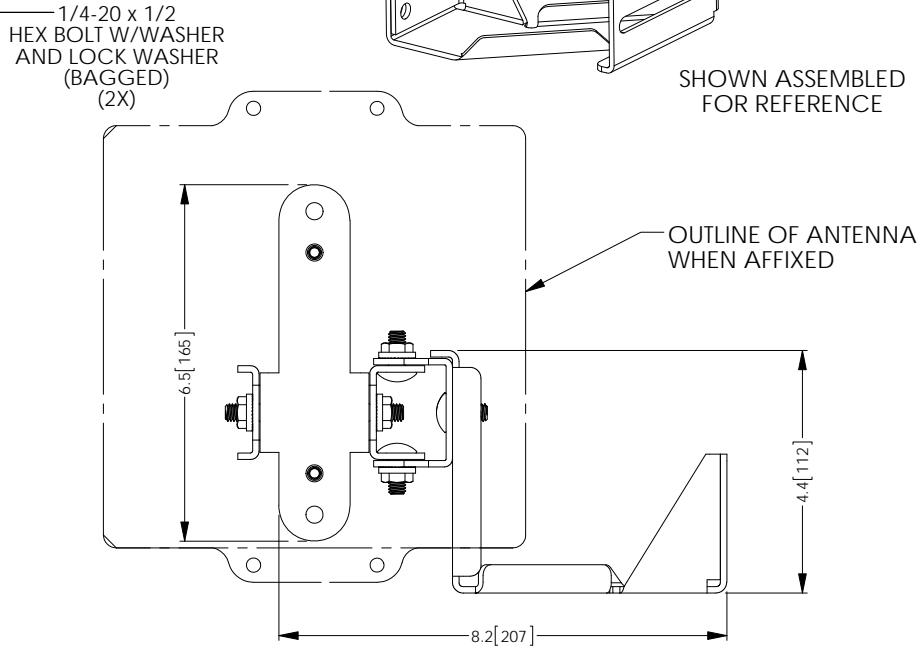
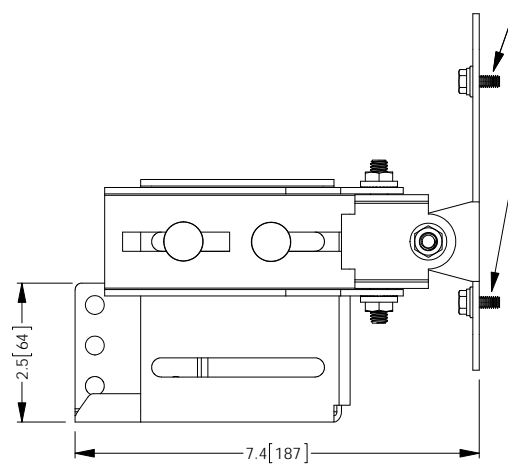
REVISIONS			
REV	DESCRIPTION	DATE	APPROVED
A	INITIAL RELEASE	9/7/16	D.GRIFFIN



SHOWN UNASSEMBLED  
- AS SHIPPED -

SHOWN ASSEMBLED  
FOR REFERENCE

HARDWARE	QTY
1/4-20 X 1/2" HEX BOLT	2
1/4" FLAT WASHER	2
1/4" LOCK-WASHER	2
5/16-18 X 3/4" CARRIAGE BOLT	6
5/16-18 SERRATED-FLANGE LOCKNUT	6
M8 X 1.25 X 25mm HEX BOLT	2
M8 FLAT WASHER	2
M8 LOCK-WASHER	2



**NOTES:**

1. MATERIAL: 5052 ALUMINUM
2. UNASSEMBLED PARTS WITH HARDWARE SHALL BE PACKAGED IN ACCORDANCE WITH L-COM SPECIFICATION PKG-00012.
3. ALL HARDWARE FOR ASSEMBLY AND MOUNTING TO BE 18-8 STAINLESS STEEL - INDIVIDUALLY BAGGED (SEE CHART)

**REGULATORY COMPLIANCE:**  
CE2011/65/EU(RoHS DIRECTIVE)

UNLESS OTHERWISE SPECIFIED, DIMENSIONS ARE IN INCHES [mm]  DIMENSIONAL TOLERANCES: .X = ±.1 [2.54] .XX = ±.01 [.25] .XXX = ±.005 [.13]  ANGULAR TOLERANCES: ALL = ± 1°	APPROVALS	DATE	 50 HIGH STREET NORTH ANDOVER, MA 01845				
	DRAWN BY B. PUCHASKI	09/06/16		CATEGORY  <b>ANTENNA</b>			
	CHECKED BY P. PESA	09/06/16					
	APPROVED BY P. PESA	09/06/16					
PROJECTION 	CONFIGURATION DETAILS OF UNDIMENSIONED FEATURES MAY VARY	PRODUCT DESCRIPTION CISCO 1570 SERIES ANTENNA SWIVEL MOUNT ASSEMBLY PARTS (SHIPPED UNASSEMBLED)	REV. <b>A</b>				
	COLOR VARIATIONS MAY OCCUR	SIZE <b>A</b>	FSCM NO. <b>43321</b>	DWG. NO. <b>HGX-CMOUNT01</b>	SCALE: NONE	CAD FILE: HGX-CMOUNT01.SLDDRW	SHEET 1 OF 1